

# 高压针阀

## 标称压力为15,000 ... 60,000 psi [103.4 ... 413.6 MPa]

### 型号HPNV

威卡 ( WIKAI ) 数据资料AC 09.27

#### 应用

- 石油和天然气行业、化工行业、机械制造与自动化
- 适用于进样系统、测试台、液动力装置和泄压保护装置
- 喷砂/水切割，高压清洗

#### 功能特性

- 低磨损设计，阀帽中的主轴尖端不旋转
- 在高压下也能以低扭矩平稳运行
- 泄漏测试符合BS6755 / ISO 5208泄漏率A级要求
- 可提供多种材质和配置选择
- 可根据客户特殊需求，将阀门和测量仪表进行组合 ( 二次配 )

#### 描述

HPNV型高压针阀为15,000 ... 60,000 psi [103.4 ... 413.6 MPa] 的高压应用而开发，特别适用于空间受限的控制面板或测试台。

即使在阀门很少打开或只部分关闭的情况下，不旋转的阀门主轴也能防止卡死和划伤。

阀门的防爆设计确保了工作安全，尤其是在高压负荷和频繁压力循环的应用中。

只需转动5圈就可以完全打开/关闭阀门。



左图：两通直通型  
右图：两通直角型

手柄的机械止动装置将无意中松开阀帽的风险降到最低。由于采用了自定中心系统，可以快速组装和拆卸手柄。阀门的设计和高质量的密封材料确保了较长的运行时间和较高的密封性。

威卡 ( WIKAI ) 根据客户要求提供专业的阀门和压力测量仪表以及其他附件的组装，形成一套可随时安装的解决方案，即二次配方案。为保障整个系统的性能，还会对二次配组合进行一次泄漏测试。

## 规格

型号HPNV	
<b>应用标准</b>	
设计	<ul style="list-style-type: none"> <li>■ ASME B1.20.1, 通用管式螺纹 (英制)</li> <li>■ ASME B31.3, 工艺管道</li> </ul>
测试	<ul style="list-style-type: none"> <li>■ MSS SP-99, 测量仪表用阀门</li> <li>■ API 598, 阀门检验和测试</li> <li>■ ISO 5208, A级泄漏金属阀的压力测试</li> <li>■ MSS SP-61, 阀门压力测试</li> <li>■ DIN EN 12266-1, 工业用阀压力测试、测试程序和验收标准</li> </ul>
材料要求	NACE MR0175 / ISO 15156, 油气生产中含H <sub>2</sub> S环境中的使用
标记	MSS SP-25, 阀门上标记
标称压力	<ul style="list-style-type: none"> <li>■ 15,000 psi [103.4 MPa]</li> <li>■ 20,000 psi [137.9 MPa]</li> <li>■ 30,000 psi [206.8 MPa]</li> <li>■ 60,000 psi [413.6 MPa]</li> </ul>
允许温度范围	-55 ... +210 °C [-67 ... +410 °F]
版本	<ul style="list-style-type: none"> <li>■ 两通直通型</li> <li>■ 两通直角型</li> <li>■ 三通两路常通压型</li> <li>■ 三通一路常通压型</li> </ul>
连接类型	<ul style="list-style-type: none"> <li>■ 符合ANSI/ASME B1.20.1的内/内螺纹, NPT</li> <li>■ 符合ANSI/ASME B1.20.1的内/外螺纹, NPT</li> <li>■ 锥面/螺纹接头</li> </ul>
连接尺寸	<ul style="list-style-type: none"> <li>■ 1/4 NPT</li> <li>■ 3/8 NPT</li> <li>■ 1/2 NPT</li> <li>■ 3/4 NPT <sup>1)</sup></li> <li>■ 1 NPT <sup>1)</sup></li> <li>■ 1/4"锥面/螺纹连接</li> <li>■ 3/8"锥面/螺纹连接</li> <li>■ 1/2"锥面/螺纹连接</li> <li>■ 3/4"锥面/螺纹连接<sup>2)</sup></li> <li>■ 1"锥面/螺纹连接<sup>2)</sup></li> </ul>
阀孔尺寸	<ul style="list-style-type: none"> <li>■ 2 mm [0.079 in]</li> <li>■ 4 mm [0.197 in]</li> <li>■ 6 mm [0.236 in]</li> <li>■ 8 mm [0.394 in]</li> </ul>
压力-温度限值 (图片见第6页)	操作压力和温度限制取决于型号和密封材料
安装	适用于安装支架, 带安装孔
功能特性	<ul style="list-style-type: none"> <li>■ 通过自动定心活塞密封</li> <li>■ 气密封闭</li> <li>■ 流向标在阀体上</li> <li>■ 经过静压试验</li> <li>■ 接液部件100%材质可追溯</li> </ul>
特殊阀帽功能	<ul style="list-style-type: none"> <li>■ 无</li> <li>■ 适用于低温应用 (低至-196 °C [-321 °F])</li> <li>■ 用于执行器的安装孔和阀杆</li> </ul>
特殊设计功能	<ul style="list-style-type: none"> <li>■ 无</li> <li>■ 用于无氧和无油脂工况</li> <li>■ 用于酸性气体应用 (NACE) <sup>3)</sup></li> </ul>

1) 最大操作压力不超过10,000 psi [68.9 MPa]。

2) 最大操作压力不超过20,000 psi [137.9 MPa]。

3) 对于酸性气体应用, 标称压力参数必须降低。10,000 psi [103.4 MPa]和20,000 psi [137.9 MPa]降至10,000 psi [68.9 MPa]。30,000 psi [206.8 MPa]降至20,000 psi [137.9 MPa]; 60,000 psi [413.6 MPa]降至30,000 psi [206.8 MPa]。

## 材料

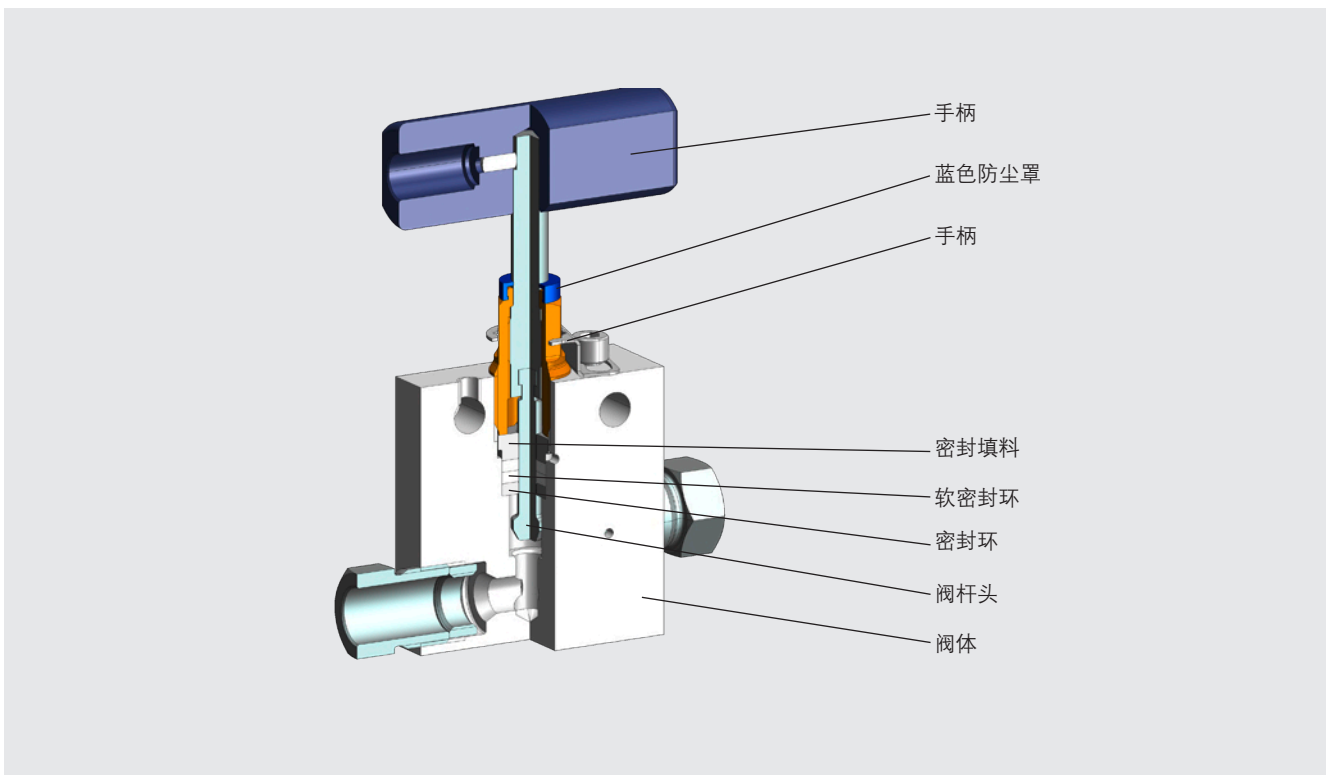
### 接液部件

阀体	<ul style="list-style-type: none"><li>■ 不锈钢316 (1.4401)</li><li>■ 可按需提供其他材料</li></ul>
阀杆头	<ul style="list-style-type: none"><li>■ 不锈钢17-4PH (1.4542), 符合ASTM A564</li><li>■ 双相不锈钢F51 (1.4462), 符合ASTM A479 <sup>1)</sup></li><li>■ 不锈钢XM-19 (S20910) <sup>1)</sup></li></ul>
密封	<ul style="list-style-type: none"><li>■ 玻纤增强PTFE</li><li>■ 碳纤维增强PTFE</li></ul> <p>温度范围: -55 ... +210 °C [-65 ... +100 °F]</p>
<b>非接液部件</b>	
手柄	<ul style="list-style-type: none"><li>■ 阳极氧化铝手柄 ( EN AW-6060-T6 )</li><li>■ 316L不锈钢制T形手柄</li><li>■ 无 ( 适用于执行器 )</li></ul>

1) 用于酸性气体应用 ( NACE )

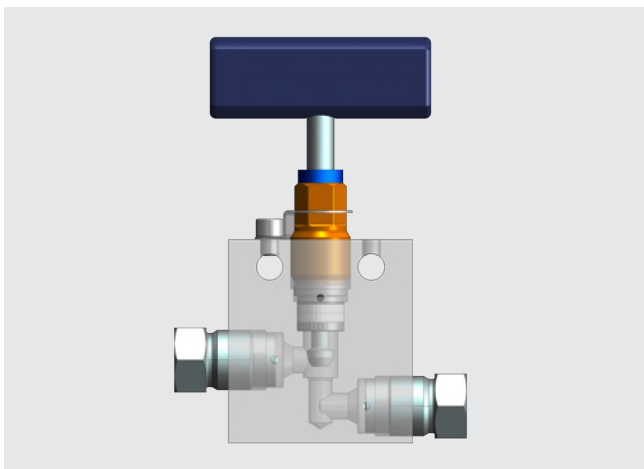
## 版本

示例: 两通直通型, 锥面/螺纹连接

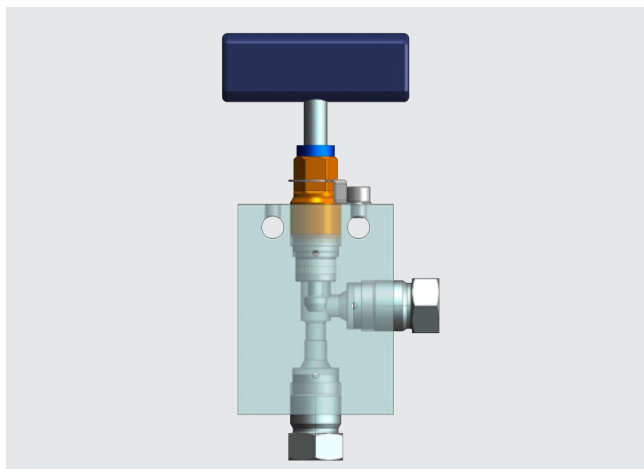


# 版本

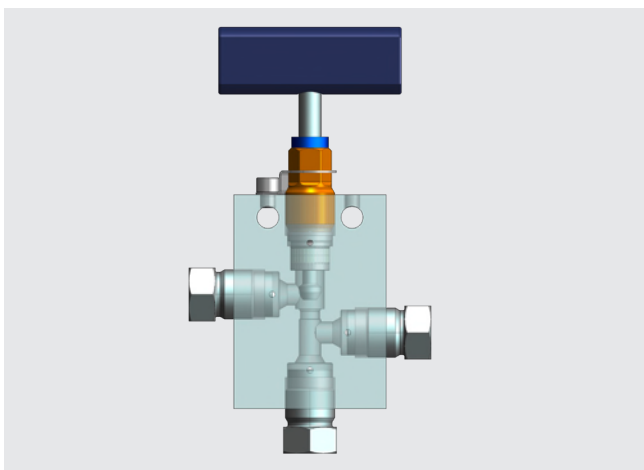
两通直通型



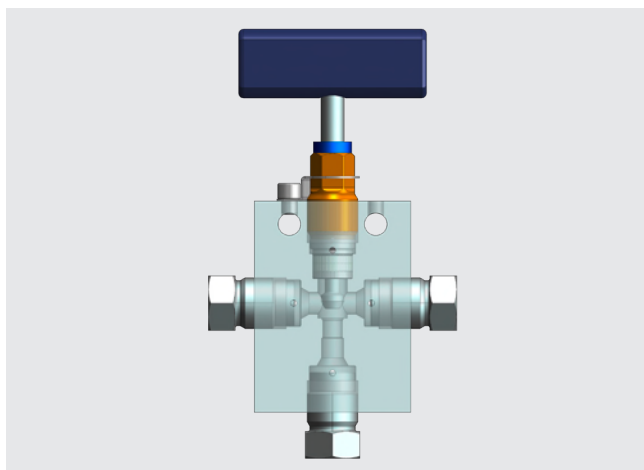
两通直角型



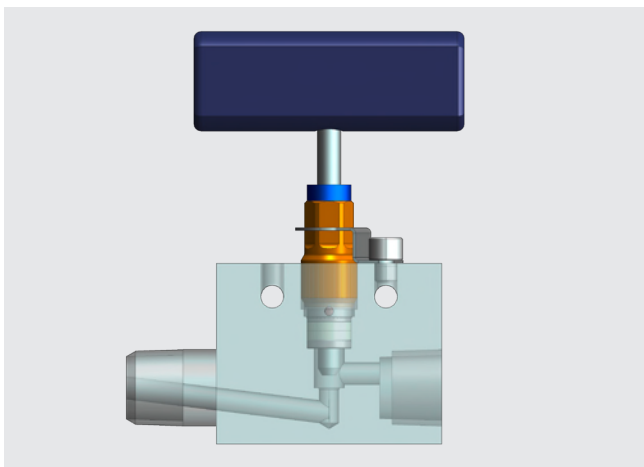
三通两路常通压型



三通一路常通压型

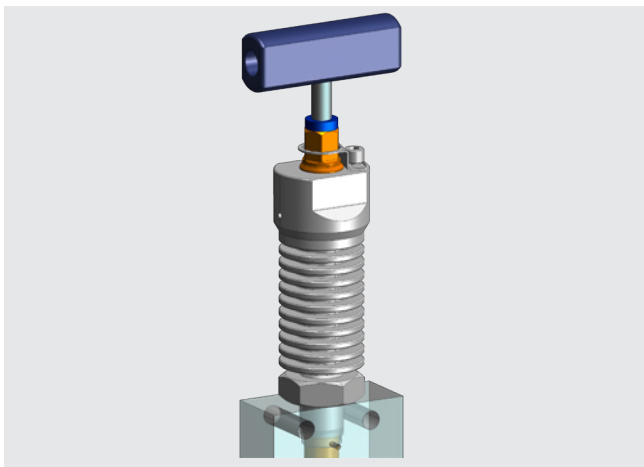


两通直通型，内/外螺纹

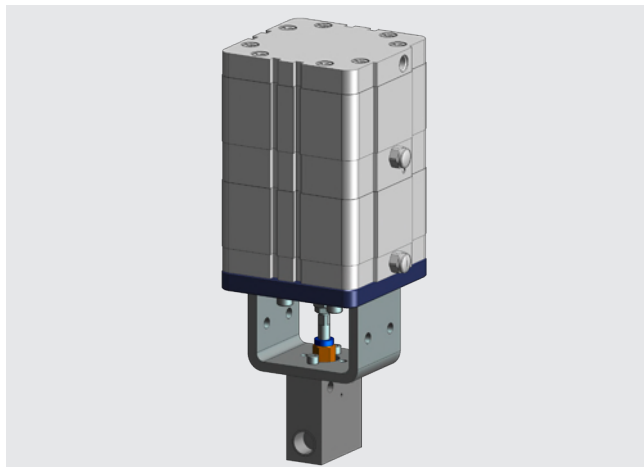


## 功能特性

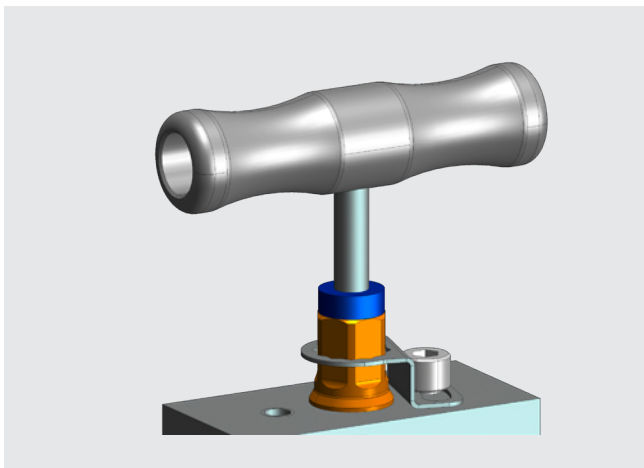
适用于低温应用的阀帽



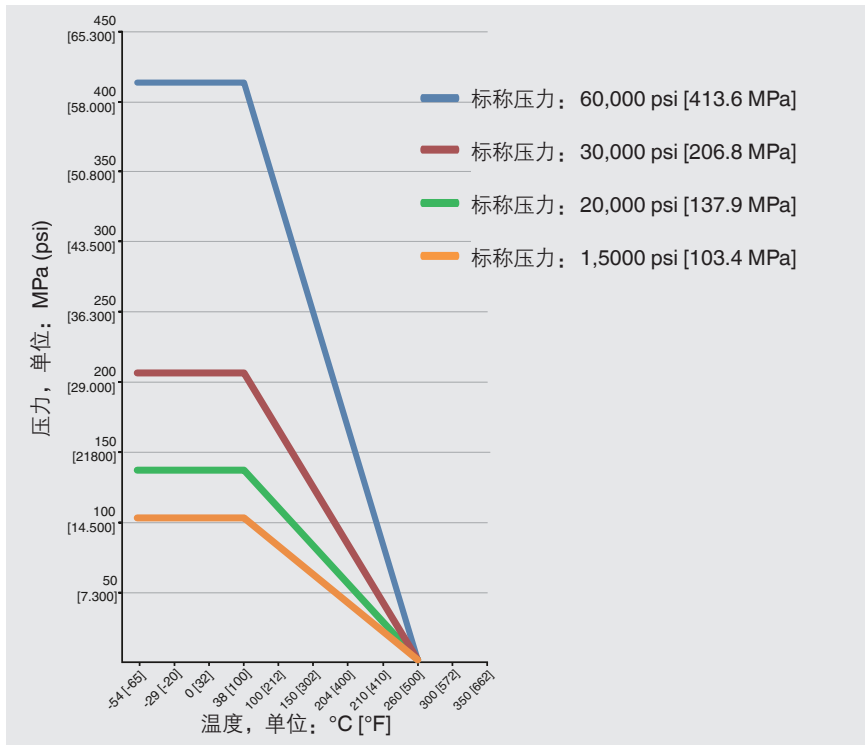
安装执行器



316L不锈钢制T形手柄



## 压力-温度图

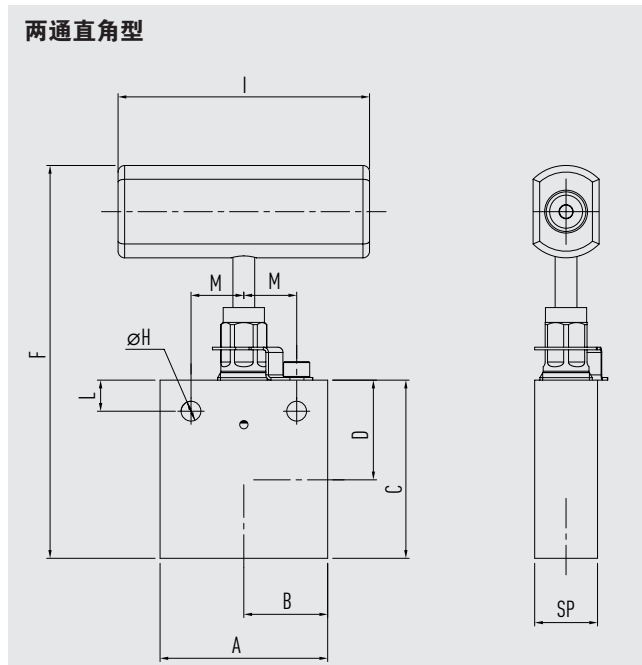
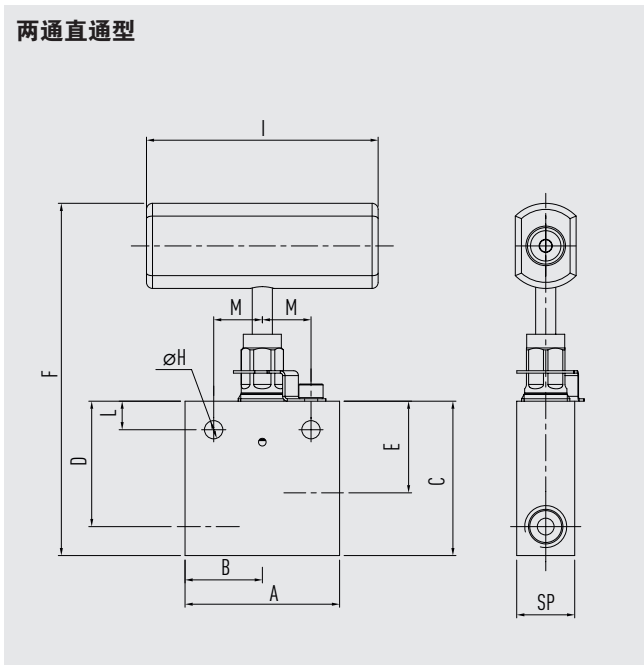


标称压力	最高允许操作压力, 单位: MPa, 温度单位: °C	最高允许操作压力, 单位: psi, 温度单位: °F
<b>15,000 psi [103.4 MPa]</b>	103.4 MPa, 38 °C	15,000 psi, 100 °F
<b>20,000 psi [137.9 MPa]</b>	137.9 MPa, 38 °C	20,000 psi, 100 °F
<b>30,000 psi [206.8 MPa]</b>	206.8 MPa, 38 °C	30,000 psi, 100 °F
<b>60,000 psi [413.6 MPa]</b>	413.6 MPa, 38 °C	60,000 psi, 100 °F

如果操作温度持续不超过-55 °C [ $\leq$  -67 °F], 则需要采用特殊设计。

## 尺寸 ( 单位: mm [in] )

符合ANSI/ASME B1.20.1的螺纹连接, 内/内螺纹  
标称压力: 15,000 psi [103.4 MPa]



### 两通直通型

螺纹	尺寸 ( 单位: mm [in] )											
	A	B	C	D	E	F	H	I	L	M	SP	孔板
¼ NPT	50.8 [2.00]	25.4 [1.00]	50.8 [2.00]	41.3 [1.63]	30.2 [1.19]	115.9 [4.6]	6 [0.24]	76.2 [3]	9.4 [0.37]	16 [0.63]	19.05 [0.75]	5.5 [0.22]
⅜ NPT	50.8 [2.00]	25.4 [1.00]	53.98 [2.13]	41.3 [1.63]	30.2 [1.19]	119.1 [4.7]	6 [0.24]	76.2 [3]	9.4 [0.37]	16 [0.63]	25.4 [1.00]	5.5 [0.22]
½ NPT	63.5 [2.50]	31.75 [1.25]	70 [2.76]	54 [2.13]	38.1 [1.5]	139.7 [5.5]	9 [0.35]	76.2 [3]	9.4 [0.37]	17.5 [0.69]	31.75 [1.25]	8 [0.31]
¾ NPT <sup>1)</sup>	76.2 [3.00]	38.1 [1.50]	95.25 [3.75]	73 [2.87]	57 [2.24]	184.8 [7.3]	11.5 [0.45]	232.7 [9.2]	16 [0.63]	22.35 [0.88]	44.45 [1.75]	11.1 [0.44]
1 NPT <sup>1)</sup>	104.78 [4.13]	52.39 [2.06]	117.2 [4.61]	95 [3.74]	71.2 [2.8]	228.9 [9]	14 [0.55]	232.7 [9.2]	17.4 [0.69]	35 [1.38]	44.45 [1.75]	14.3 [0.56]

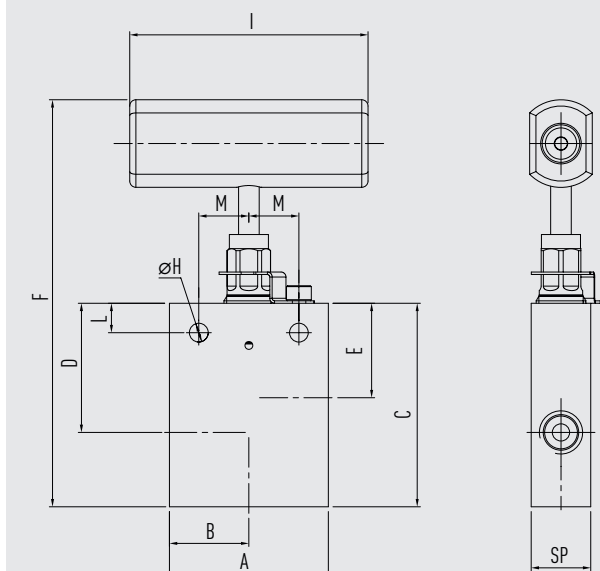
### 两通直角型

螺纹	尺寸 ( 单位: mm [in] )											
	A	B	C	D	E	F	H	I	L	M	SP	孔板
¼ NPT	50.8 [2.00]	25.4 [1.00]	53.98 [2.13]	41.3 [1.63]	30.2 [1.19]	119.1 [4.7]	6 [0.24]	76.2 [3]	9.4 [0.37]	16 [0.63]	19.05 [0.75]	5.5 [0.22]
⅜ NPT	50.8 [2.00]	25.4 [1.00]	54.77 [2.16]	41.3 [1.63]	30.2 [1.19]	119.1 [4.7]	6 [0.24]	76.2 [3]	9.4 [0.37]	16 [0.63]	25.4 [1.00]	5.5 [0.22]
½ NPT	63.5 [2.50]	31.75 [1.25]	70 [2.76]	54 [2.13]	38.13 [1.5]	139.7 [5.5]	9 [0.35]	76.2 [3]	9.4 [0.37]	17.5 [0.69]	31.75 [1.25]	8 [0.31]
¾ NPT <sup>1)</sup>	76.2 [3.00]	38.1 [1.50]	95.25 [3.75]	73 [2.87]	57 [2.24]	184.8 [7.3]	11.5 [0.45]	232.7 [9.2]	16 [0.63]	22.35 [0.88]	44.45 [1.75]	11.1 [0.44]
1 NPT <sup>1)</sup>	104.78 [4.13]	52.39 [2.06]	117.2 [4.61]	95 [3.74]	71.2 [2.8]	228.9 [9]	14 [0.55]	232.7 [9.2]	17.4 [0.69]	35 [1.38]	44.45 [1.75]	14.3 [0.56]

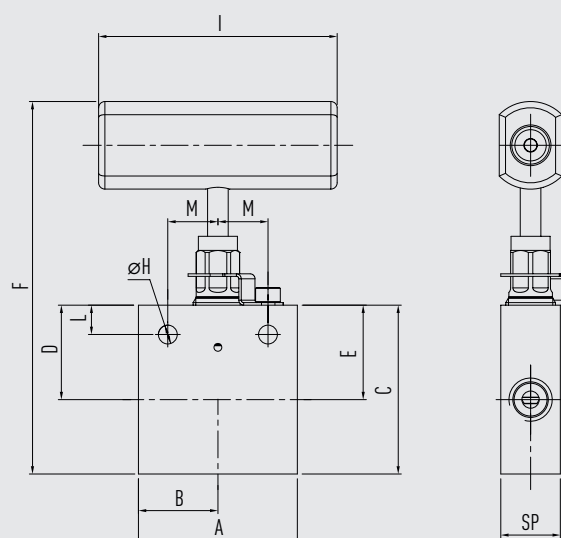
1) 最大操作压力不超过10,000 psi [68.9 MPa]。

符合ANSI/ASME B1.20.1的螺纹连接  
标称压力：15,000 psi [103.4 MPa]

三通两路常通压型



三通一路常通压型



三通两路常通压型

螺纹	尺寸 (单位: mm [in])											
	A	B	C	D	E	F	H	I	L	M	SP	孔板
1/4 NPT	50.8 [2.00]	25.4 [1.00]	65.09 [2.56]	41.3 [1.63]	30.2 [1.19]	30.2 [1.19]	6 [0.24]	76.2 [3]	9.4 [0.37]	16 [0.63]	19.05 [0.75]	5.5 [0.22]
3/8 NPT	50.8 [2.00]	25.4 [1.00]	65.88 [2.59]	41.3 [1.63]	30.2 [1.19]	30.2 [1.19]	6 [0.24]	76.2 [3]	9.4 [0.37]	16 [0.63]	25.4 [1.00]	5.5 [0.22]
1/2 NPT	63.5 [2.50]	31.75 [1.25]	85.73 [3.38]	54 [2.13]	38.1 [1.5]	38.1 [1.5]	9 [0.35]	76.2 [3]	9.4 [0.37]	17.5 [0.69]	31.75 [1.25]	8 [0.31]
3/4 NPT <sup>1)</sup>	76.2 [3.00]	38.1 [1.50]	111.12 [4.37]	73 [2.87]	57 [2.24]	57 [2.24]	11.5 [0.45]	232.7 [9.2]	16 [0.63]	22.35 [0.88]	44.45 [1.75]	11.1 [0.44]
1 NPT <sup>1)</sup>	104.78 [4.13]	52.39 [2.06]	141.29 [5.56]	95 [3.74]	71.2 [2.8]	71.2 [2.8]	14 [0.55]	232.7 [9.2]	17.4 [0.69]	35 [1.38]	44.45 [1.75]	14.3 [0.56]

三通一路常通压型

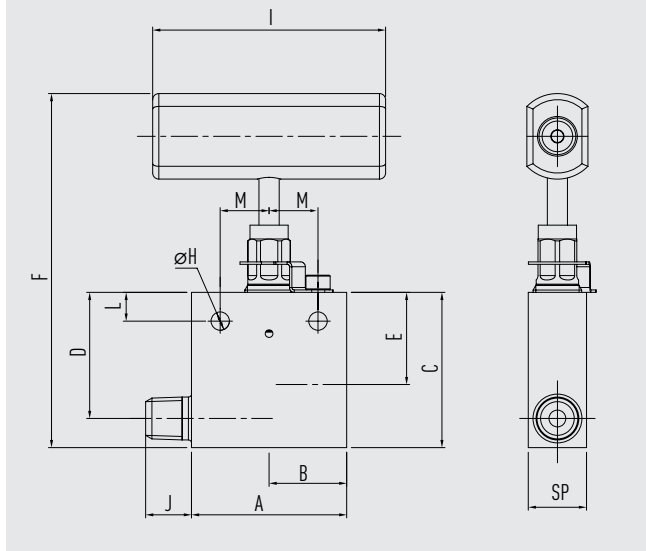
螺纹	尺寸 (单位: mm [in])										
	A	B	C	D	F	H	I	L	M	SP	孔板
1/4 NPT	50.8 [2.00]	25.4 [1.00]	53.98 [2.13]	30.2 [1.19]	119.1 [4.7]	6 [0.24]	76.2 [3]	9.4 [0.37]	16 [0.63]	19.05 [0.75]	5.5 [0.22]
3/8 NPT	50.8 [2.00]	25.4 [1.00]	54.77 [2.16]	30.2 [1.19]	119.1 [4.7]	6 [0.24]	76.2 [3]	9.4 [0.37]	16 [0.63]	25.4 [1.00]	5.5 [0.22]
1/2 NPT	63.5 [2.50]	31.75 [1.25]	70 [2.76]	38.13 [1.5]	139.7 [5.5]	9 [0.35]	76.2 [3]	9.4 [0.37]	17.5 [0.69]	31.75 [1.25]	8 [0.31]
3/4 NPT <sup>1)</sup>	76.2 [3.00]	38.1 [1.50]	95.25 [3.75]	57 [2.24]	184.8 [7.3]	11.5 [0.45]	232.7 [9.2]	16 [0.63]	22.35 [0.88]	44.45 [1.75]	11.1 [0.44]
1 NPT <sup>1)</sup>	104.78 [4.13]	52.39 [2.06]	117.2 [4.61]	71.2 [2.8]	228.9 [9]	14 [0.55]	232.7 [9.2]	17.4 [0.69]	35 [1.38]	44.45 [1.75]	14.3 [0.56]

1) 最大操作压力不超过10,000 psi [68.9 MPa]。



符合ANSI/ASME B1.20.1的螺纹连接，内/外螺纹  
 标称压力：15,000 psi [103.4 MPa]

两通直通型，内/外螺纹

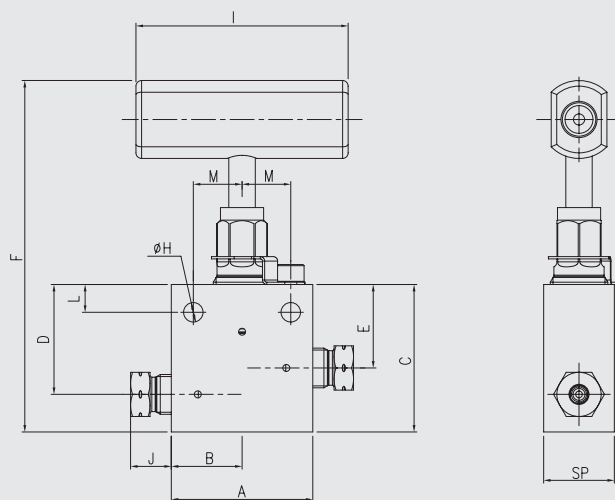


螺纹	尺寸 (单位: mm [in])												
	A	B	C	D	E	F	H	I	J	L	M	SP	孔板
¼ NPT	50.8 [2.00]	25.4 [1.00]	50.8 [2]	41.3 [1.63]	30.2 [1.19]	115.9 [4.6]	6 [0.24]	76.2 [3]	15 [0.6]	9.4 [0.37]	16 [0.63]	19.05 [0.75]	5.5 [0.22]
⅜ NPT	50.8 [2.00]	25.4 [1.00]	53.98 [2.13]	41.3 [1.63]	30.2 [1.19]	119.1 [4.7]	6 [0.24]	76.2 [3]	19 [0.7]	9.4 [0.37]	16 [0.63]	25.4 [1.00]	5.5 [0.22]
½ NPT	63.5 [2.50]	31.75 [1.25]	69.85 [2.75]	57 [2.24]	38.1 [1.5]	139.5 [5.5]	9 [0.35]	76.2 [3]	25 [1]	9.4 [0.37]	17.5 [0.69]	31.75 [1.25]	8 [0.31]
¾ NPT <sup>1)</sup>	76.2 [3.00]	38.1 [1.50]	95.25 [3.75]	76 [2.99]	57 [2.24]	184.8 [7.3]	11.5 [0.45]	232.7 [9.2]	25 [1]	16 [0.63]	22.35 [0.88]	44.45 [1.75]	11.1 [0.44]
1 NPT <sup>1)</sup>	104.78 [4.13]	52.39 [2.06]	117.48 [4.63]	95 [3.74]	71.2 [2.8]	229.1 [9]	14 [0.55]	232.7 [9.2]	29 [1.1]	17.4 [0.69]	35 [1.38]	44.45 [1.75]	14.3 [0.56]

1) 最大操作压力不超过10,000 psi [68.9 MPa]。

## 锥面/螺纹接头

### 两通直通型



标称压力: 20,000 psi [137.9 MPa]

用于外径	尺寸 (单位: mm [in])												
	A	B	C	D	E	F	H	I	J	L	M	SP	孔板
1/4"	50.8 [2.00]	25.4 [1.00]	50.8 [2.00]	41.3 [1.63]	30.2 [1.19]	115.9 [4.6]	6 [0.24]	76.2 [3]	12.2 [0.5]	9.4 [0.37]	16 [0.63]	19.05 [0.75]	5.5 [0.22]
3/8"	50.8 [2.00]	25.4 [1.00]	53.98 [2.13]	41.3 [1.63]	30.2 [1.19]	115.9 [4.6]	6 [0.24]	76.2 [3]	14.3 [0.6]	9.4 [0.37]	16 [0.63]	19.05 [0.75]	5.5 [0.22]
1/2"	63.5 [2.50]	31.75 [1.25]	70 [2.76]	57.3 [2.26]	41.4 [1.63]	139.7 [5.5]	9 [0.35]	76.2 [3]	18.6 [0.7]	9.4 [0.37]	17.5 [0.69]	25.4 [1]	8 [0.31]
3/4"	76.2 [3.00]	38.1 [1.50]	95.25 [3.75]	76.2 [3]	57.2 [2.25]	184.8 [7.3]	11.5 [0.45]	232.7 [9.2]	18.8 [0.7]	16 [0.63]	22.35 [0.88]	34.90 [1.37]	11.1 [0.44]
1"	104.78 [4.13]	52.39 [2.06]	117.2 [2.8]	95 [3.74]	71.2 [2.8]	228.9 [9]	14 [0.55]	232.7 [9.2]	21.3 [0.8]	17.4 [0.69]	35 [1.38]	44.45 [1.75]	14.3 [0.56]

标称压力: 30,000 psi [206.8 MPa]

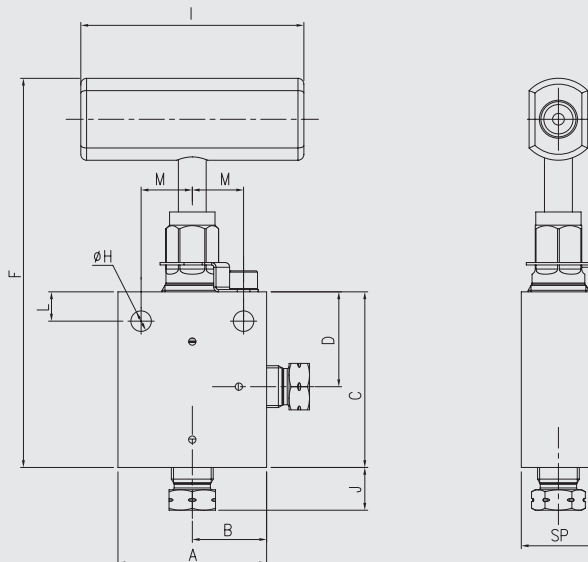
用于外径	尺寸 (单位: mm [in])												
	A	B	C	D	E	F	H	I	J	L	M	SP	孔板
1/4"	50.8 [2.00]	25.4 [1.00]	53 [2.09]	39.5 [1.56]	30 [1.18]	126.3 [5.0]	7 [0.28]	76.2 [3]	14.6 [0.6]	10 [0.39]	17.5 [0.69]	25.4 [1]	3.2 [0.13]
3/8"	50.8 [2.00]	25.4 [1.00]	53 [2.09]	39.5 [1.56]	30 [1.18]	126.3 [5.0]	7 [0.28]	76.2 [3]	18.7 [0.7]	10 [0.39]	17.5 [0.69]	25.4 [1]	3.2 [0.13]
1/2"	66.68 [2.63]	33.34 [1.31]	60 [2.36]	40 [1.57]	29 [1.14]	133.3 [5.2]	7 [0.28]	76.2 [3]	26.9 [1.1]	10 [0.39]	17.5 [0.69]	38.1 [1.5]	3.2 [0.13]

标称压力: 60,000 psi [413.6 MPa]

用于外径	尺寸 (单位: mm [in])												
	A	B	C	D	E	F	H	I	J	L	M	SP	孔板
1/4"	50.8 [2.00]	25.4 [1.00]	53 [2.09]	42 [1.65]	32.4 [1.28]	126 [5.0]	7 [0.28]	76.2 [3]	14.6 [0.6]	10 [0.39]	17.5 [0.69]	25.4 [1]	2 [0.06]
3/8"	50.8 [2.00]	25.4 [1.00]	57 [2.24]	42.9 [1.69]	33.3 [1.31]	130 [5.1]	7 [0.28]	76.2 [3]	18.7 [0.7]	10 [0.39]	17.5 [0.69]	25.4 [1]	2 [0.06]
1/2"	66.68 [2.63]	33.34 [1.31]	63.5 [2.50]	45.5 [1.79]	33.3 [1.31]	136.5 [5.4]	7 [0.28]	76.2 [3]	26.9 [1.1]	10 [0.39]	17.5 [0.69]	38.1 [1.5]	2 [0.06]

锥面/螺纹接头

两通直角型



标称压力: 20,000 psi [137.9 MPa]

用于外径	尺寸 (单位: mm [in])											
	A	B	C	D	F	H	I	J	L	M	SP	孔板
1/4"	50.8 [2.00]	25.4 [1.00]	61.9 [2.44]	30.2 [1.19]	127 [5]	6 [0.24]	76.2 [3]	12.2 [0.5]	9.4 [0.37]	16 [0.63]	19.05 [0.75]	5.5 [0.22]
3/8"	50.8 [2.00]	25.4 [1.00]	61.9 [2.44]	30.2 [1.19]	127 [5]	6 [0.24]	76.2 [3]	14.3 [0.6]	9.4 [0.37]	16 [0.63]	19.05 [0.75]	5.5 [0.22]
1/2"	63.5 [2.50]	31.75 [1.25]	85.73 [3.38]	41.43 [1.63]	155.4 [6.1]	9 [0.35]	76.2 [3]	18.6 [0.7]	9.4 [0.37]	17.5 [0.69]	25.4 [1]	8 [0.31]
3/4"	76.2 [3.00]	38.1 [1.50]	107.95 [4.25]	57.15 [2.25]	197.5 [7.8]	11.5 [0.45]	232.7 [9.2]	18.8 [0.7]	16 [0.63]	22.35 [0.88]	34.90 [1.37]	11.1 [0.44]
1"	104.78 [4.13]	52.39 [2.06]	130.18 [5.13]	71.19 [2.80]	241.8 [9.5]	14 [0.55]	232.7 [9.2]	21.3 [0.8]	17.4 [0.69]	35 [1.38]	44.45 [1.75]	14.3 [0.56]

标称压力: 30,000 psi [206.8 MPa]

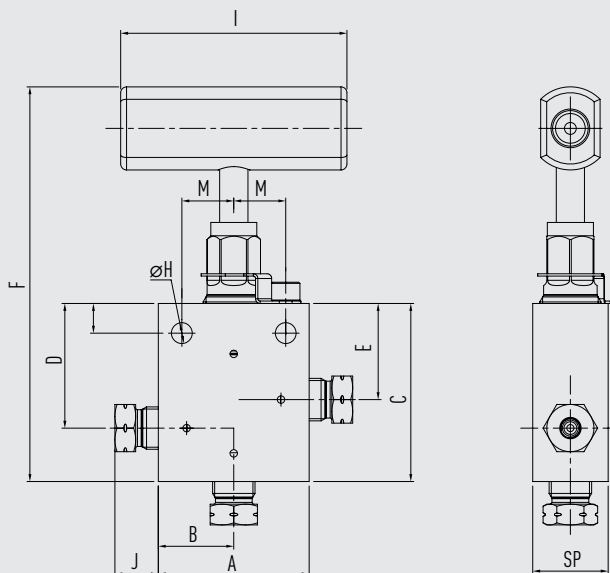
用于外径	尺寸 (单位: mm [in])											
	A	B	C	D	F	H	I	J	L	M	SP	孔板
1/4"	50.8 [2.00]	25.4 [1.00]	53 [2.09]	30 [1.18]	126.3 [5.0]	7 [0.28]	76.2 [3]	14.6 [0.6]	10 [0.39]	17.5 [0.69]	25.4 [1]	3.2 [0.13]
3/8"	50.8 [2.00]	25.4 [1.00]	57 [2.24]	30 [1.18]	130.3 [5.1]	7 [0.28]	76.2 [3]	18.7 [0.7]	10 [0.39]	17.5 [0.69]	25.4 [1]	3.2 [0.13]
1/2"	66.68 [2.63]	33.34 [1.31]	62 [2.44]	29 [1.14]	135.3 [5.3]	7 [0.28]	76.2 [3]	26.9 [1.1]	10 [0.39]	17.5 [0.69]	38.1 [1.5]	3.2 [0.13]

标称压力: 60,000 psi [413.6 MPa]

用于外径	尺寸 (单位: mm [in])											
	A	B	C	D	F	H	I	J	L	M	SP	孔板
1/4"	50.8 [2.00]	25.4 [1.00]	60 [2.36]	32.4 [1.28]	133 [5.2]	7 [0.28]	76.2 [3]	14.6 [0.6]	10 [0.39]	17.5 [0.69]	25.4 [1]	2 [0.06]
3/8"	50.8 [2.00]	25.4 [1.00]	66 [2.6]	33.3 [1.31]	139 [5.5]	7 [0.28]	76.2 [3]	18.7 [0.7]	10 [0.39]	17.5 [0.69]	25.4 [1]	2 [0.06]
1/2"	66.68 [2.63]	33.34 [1.31]	71 [2.8]	33.3 [1.31]	144 [5.7]	7 [0.28]	76.2 [3]	26.9 [1.1]	10 [0.39]	17.5 [0.69]	38.1 [1.5]	2 [0.06]

锥面/螺纹接头

三通两路常通压型



标称压力: 20,000 psi [137.9 MPa]

DN	尺寸 (单位: mm [in])											
	A	B	C	D	F	H	I	J	L	M	SP	孔板
1/4"	50.8 [2.00]	25.4 [1.00]	61.9 [2.44]	41.43 [1.63]	127 [5]	6 [0.24]	76.2 [3]	12.2 [0.5]	9.4 [0.37]	16 [0.63]	19.05 [0.75]	5.5 [0.22]
3/8"	50.8 [2.00]	25.4 [1.00]	61.9 [2.44]	41.43 [1.63]	131.8 [5.2]	6 [0.24]	76.2 [3]	14.3 [0.6]	9.4 [0.37]	16 [0.63]	19.05 [0.75]	5.5 [0.22]
1/2"	63.5 [2.50]	31.75 [1.25]	85.73 [3.38]	57.3 [2.26]	158.6 [6.2]	9 [0.35]	76.2 [3]	18.6 [0.7]	9.4 [0.37]	17.5 [0.69]	25.4 [1]	8 [0.31]
3/4"	76.2 [3.00]	38.1 [1.50]	107.95 [4.25]	76.2 [3]	207 [8.1]	11.5 [0.45]	232.7 [9.2]	18.8 [0.7]	16 [0.63]	22.35 [0.88]	34.90 [1.37]	11.1 [0.44]
1"	104.78 [4.13]	52.39 [2.06]	130.18 [5.13]	71.2 [2.8]	264.1 [10.4]	14 [0.55]	232.7 [9.2]	21.3 [0.8]	17.4 [0.69]	35 [1.38]	44.45 [1.75]	14.3 [0.56]

标称压力: 30,000 psi [206.8 MPa]

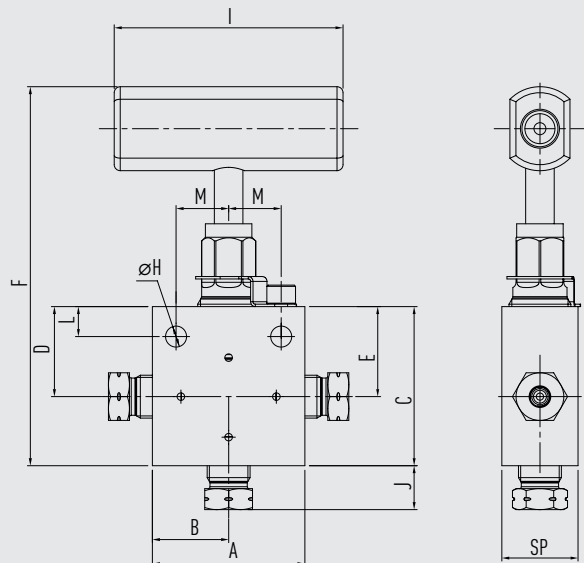
DN	尺寸 (单位: mm [in])											
	A	B	C	D	F	H	I	J	L	M	SP	孔板
1/4"	50.8 [2.00]	25.4 [1.00]	57.5 [2.26]	39.5 [1.56]	130.8 [5.1]	7 [0.28]	76.2 [3]	14.6 [0.6]	10 [0.39]	17.5 [0.69]	25.4 [1]	3.2 [0.13]
3/8"	50.8 [2.00]	25.4 [1.00]	69.6 [2.74]	39.5 [1.56]	142.9 [5.6]	7 [0.28]	76.2 [3]	18.7 [0.7]	10 [0.39]	17.5 [0.69]	25.4 [1]	3.2 [0.13]
1/2"	66.68 [2.63]	33.34 [1.31]	77.5 [3.05]	40 [1.57]	150.8 [5.9]	7 [0.28]	76.2 [3]	26.9 [1.1]	10 [0.39]	17.5 [0.69]	38.1 [1.5]	3.2 [0.13]

标称压力: 60,000 psi [413.6 MPa]

DN	尺寸 (单位: mm [in])											
	A	B	C	D	F	H	I	J	L	M	SP	孔板
1/4"	50.8 [2.00]	25.4 [1.00]	60 [2.36]	42 [1.65]	133 [5.2]	7 [0.28]	76.2 [3]	14.6 [0.6]	10 [0.39]	17.5 [0.69]	25.4 [1]	2 [0.06]
3/8"	50.8 [2.00]	25.4 [1.00]	73 [2.87]	42.9 [1.69]	146 [5.7]	7 [0.28]	76.2 [3]	18.7 [0.7]	10 [0.39]	17.5 [0.69]	25.4 [1]	2 [0.06]
1/2"	66.68 [2.63]	33.34 [1.31]	83 [3.27]	45.5 [1.79]	156 [6.1]	7 [0.28]	76.2 [3]	26.9 [1.1]	10 [0.39]	17.5 [0.69]	38.1 [1.5]	2 [0.06]

锥面/螺纹接头

三通一路常通压型



标称压力: 20,000 psi [137.9 MPa]

用于外径	尺寸 (单位: mm [in])												
	A	B	C	D	E	F	H	I	J	L	M	SP	孔板
1/4"	50.8 [2.00]	25.4 [1.00]	61.9 [2.44]	41.3 [1.63]	30.2 [1.19]	127 [5]	6 [0.24]	76.2 [3]	12.2 [0.5]	9.4 [0.37]	16 [0.63]	19.05 [0.75]	5.5 [0.22]
3/8"	50.8 [2.00]	25.4 [1.00]	61.9 [2.44]	41.3 [1.63]	30.2 [1.19]	127 [5]	6 [0.24]	76.2 [3]	14.3 [0.6]	9.4 [0.37]	16 [0.63]	19.05 [0.75]	5.5 [0.22]
1/2"	63.5 [2.50]	31.75 [1.25]	85.73 [3.38]	57.3 [2.26]	41.4 [1.63]	155.4 [6]	9 [0.35]	76.2 [3]	18.6 [0.7]	9.4 [0.37]	17.5 [0.69]	25.4 [1]	8 [0.31]
3/4"	76.2 [3.00]	38.1 [1.50]	107.95 [4.25]	76.2 [3]	57.2 [2.25]	197.5 [7.8]	11.5 [0.45]	232.7 [9.2]	18.8 [0.7]	16 [0.63]	22.35 [0.88]	34.90 [1.37]	11.1 [0.44]
1"	104.78 [4.13]	52.39 [2.06]	130.18 [5.13]	95 [3.74]	71.2 [2.8]	241.8 [9.5]	14 [0.55]	232.7 [9.2]	21.3 [0.8]	17.4 [0.69]	35 [1.38]	44.45 [1.75]	14.3 [0.56]

标称压力: 30,000 psi [206.8 MPa]

用于外径	尺寸 (单位: mm [in])												
	A	B	C	D	E	F	H	I	J	L	M	SP	孔板
1/4"	50.8 [2.00]	25.4 [1.00]	53 [2.09]	39.5 [1.56]	30 [1.18]	126.3 [5.0]	7 [0.28]	76.2 [3]	14.6 [0.6]	10 [0.39]	17.5 [0.69]	25.4 [1]	3.2 [0.13]
3/8"	50.8 [2.00]	25.4 [1.00]	57 [2.24]	39.5 [1.56]	30 [1.18]	130.3 [5.1]	7 [0.28]	76.2 [3]	18.7 [0.7]	10 [0.39]	17.5 [0.69]	25.4 [1]	3.2 [0.13]
1/2"	66.68 [2.63]	33.34 [1.31]	62 [2.44]	40 [1.57]	29 [1.14]	135.3 [5.3]	7 [0.28]	76.2 [3]	26.9 [1.1]	10 [0.39]	17.5 [0.69]	38.1 [1.5]	3.2 [0.13]

## 制造商信息和证书

标志	描述
-	PMI <sup>1)</sup> 测试证书 ( 可选项 ) 所有接液部件

1) 材料可靠性鉴别

## 证书

- 3.1 检验证书, 符合EN 10204 ( 可选项 )
  - 所有接液部件材料证书, 符合NACE MR0103/MR0175
  - 压力测试确认, 符合API 598<sup>2)</sup>

2) 壳体测试: 测试时间为15 s, 测试压力为允许工作压力的1.5倍

## 订购信息

型号/标称压力/连接类型/标称宽度/阀孔尺寸/图片/阀帽设计/特殊设计功能/阀体/密封/手柄/选项

© 05/2020 WIKA Alexander Wiegand SE & Co. KG, 版权所有。  
本档提供的规格代表出版时的工程技术状态。  
我们保留对规格和材料进行变更的权利。



威卡自动化仪表 ( 苏州 ) 有限公司  
威卡国际贸易 ( 上海 ) 有限公司

电话: (+86) 400 928 9600  
传真: (+86) 512 68780300  
邮箱: 400@wikachina.com  
网址: www.wika.cn