

# Bourdon tube pressure gauge Back mount, with VdS approval Model 111.12.040

WIKA data sheet SP 01.23



## Applications

- Pressure gauge for indicating and monitoring the pressure in tanks
- Pressure gauge for use in gas extinguishing systems per EN 12094-10 (VdS certificate)

## Special features

- Reliable and cost-effective
- Design per EN 837-1 and EN 12094-10
- Nominal size 40
- Scale ranges 0 ... 16 bar to 0 ... 400 bar



Model 111.12.040 with VdS approval

## Description

The model 111.12.040 with VdS approval was specifically certified for use in fixed gas extinguishing systems by VdS Schadenverhütung GmbH in accordance with DIN EN 12094-10.

Among experts within the fire protection industry, this approval is increasingly being recognised as an important safety feature and creates confidence among producers and operators of fire protection systems. With the offer of VdS approved pressure measuring instruments, WIKA is supporting its customers in the fire protection industry to fulfil the criteria required by authorities and insurance companies.

The certificate is available for download online, on the product page.

## Standard version

### Design

EN 837-1 and EN 12094-10

### Nominal size in mm

40

### Accuracy class

1.6

### Scale ranges

0 ... 16 bar to 0 ... 400 bar

### Pressure limitation

Steady: 3/4 x full scale value

Fluctuating: 2/3 x full scale value

Short time: Full scale value

### Permissible temperature

Ambient: -20 ... +60 °C

Medium: +60 °C maximum

### Temperature effect

When the temperature of the measuring system deviates from the reference temperature (+20 °C): max.  $\pm 0.4 \text{ \%}/10 \text{ K}$  of the span

### Process connection

Copper alloy, G 1/8 B (male), centre back mount

### Pressure element

Copper alloy

### Movement

Copper alloy

### Dial

- Plastic (ABS), white
- Aluminium, white (option)

### Pointer

- Plastic (ABS), black
- Aluminium/plastic, black (option)

## Ordering information

Model / Nominal size / Scale range / Connection size / Options

© 01/2014 WIKA Alexander Wiegand SE & Co. KG, all rights reserved.  
The specifications given in this document represent the state of engineering at the time of publishing.  
We reserve the right to make modifications to the specifications and materials.

### Case

Stainless steel

### Window

- Polycarbonate, snap-fitted in case
- Laminated safety glass with slip-on bezel (option)

### Ingress protection

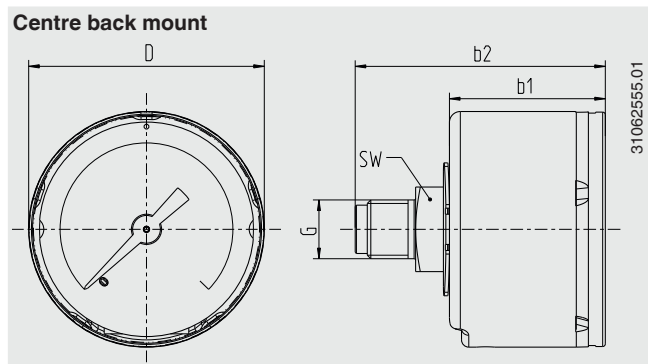
IP54 per EN/IEC 60529

### Helium leak test

Leak rate  $10^{-5} \text{ mbar}\cdot\text{l/s}$

## Dimensions in mm

### Standard version



NS	Dimensions in mm					Weight
	D	b1	b2	G	SW	in kg
40	40	26 ±0.5	42 ±1	G 1/8 B	14	0.06

Process connection per EN 837-1 / 7.3

### Approval

VdS per EN 12094-10

