

Diaphragm seal with sterile connection For sanitary applications Model 990.50, NEUMO BioConnect®

WIKA data sheet DS 99.50



for further approvals
see page 4

Applications

- Food and beverage production
- Pharmaceutical industry, biotechnology industry, production of active ingredients
- Production of aseptic basic materials in the chemical industry

Special features

- Quick cleaning of measuring location, without residue
- Certified hygienic design
- Suitable for SIP and CIP
- EHEDG-certified and 3-A-compliant

Description

Diaphragm seals are used to protect the pressure measuring instrument from aggressive, adhesive, crystallising, corrosive, highly viscous, environmentally hazardous or toxic media. A diaphragm made of the appropriate material provides for the separation from the medium. Thus even the most difficult measuring requirements can be met by combining measuring instruments with diaphragm seals.

A fluid inside the system, which can be explicitly chosen to suit the particular measuring requirement, hydraulically transmits the pressure to the measuring instrument.

Almost limitless application possibilities exist due to the large number of available variants, such as diaphragm seal designs or materials. The type of process connection (flange, threaded and sterile connection) and the basic method of manufacture are important design differentiation criteria.

For further technical information on diaphragm seals and diaphragm seal systems see IN 00.06 "Application, operating principle, designs".

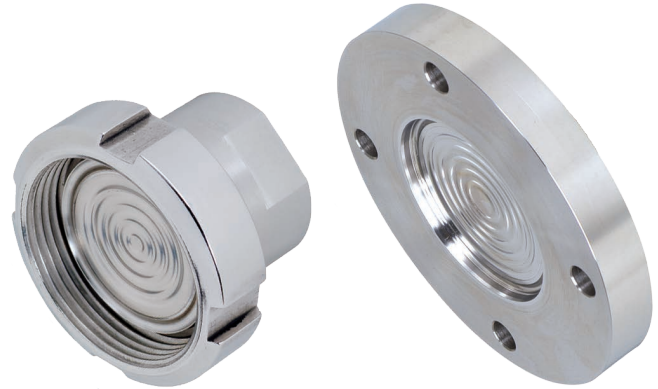


Fig. left: With grooved union nut
Fig. right: Flange connection

The model 990.50 NEUMO BioConnect® diaphragm seal is ideally suited to fulfil the high standard requirements of sanitary applications. It can be optimally integrated into pipelines via the BioConnect® fittings, fulfils all hygienic design requirements and is EHEDG certified. The diaphragm seal systems can withstand the cleaning vapour temperatures occurring in the SIP processes and thus ensure a sterile connection between the medium to be measured and the diaphragm seal.

Mounting of the diaphragm seal to the measuring instrument is made via direct mounting as standard or optionally via a cooling element or a flexible capillary.

For the material selection WIKA offers a variety of solutions, in which the upper body and the diaphragm are made of identical materials. Stainless steel 316L (1.4435) is used as standard material, other special materials are available on request.

Specifications

Model 990.50	Standard	Option
Pressure range ¹⁾		
Threaded connection	0 ... 0.6 bar to 0 ... 16 bar [0 ... 8.7 psi to 0 ... 232 psi]	
Flange connection	0 ... 0.6 bar to 0 ... 70 bar [0 ... 8.7 psi to 0 ... 1,015 psi]	
Clamp connection	<ul style="list-style-type: none"> ■ 0 ... 0.6 bar to 0 ... 16 bar [0 ... 8.7 psi to 0 ... 232 psi] (to DN 50) ■ 0 ... 0.6 bar to 0 ... 10 bar [0 ... 8.7 psi to 0 ... 145 psi] (from DN 65) 	
	Or all other equivalent vacuum or combined pressure and vacuum ranges	
Nominal pressure		
Threaded connection	PN 16 bar [232 psi]	
Flange connection	PN 16 bar [232 psi]	
Clamp connection	<ul style="list-style-type: none"> ■ PN 16 bar [232 psi] (to DN 50) ■ PN 10 bar [145 psi] (from DN 65) 	
Level of cleanliness of wetted parts	Oil and grease free per ASTM G93-03 level E (WIKA-Standard) and ISO 15001 (< 550 mg/m ²)	Oil and grease free per ASTM G93-03 level C and ISO 15001 (< 66 mg/m ²)
Origin of wetted parts	International	EU, CH, USA
Surface roughness of wetted parts	Ra ≤ 0.76 µm [30 µin] per ASME BPE SF3 (except for weld seam)	Ra ≤ 0.38 µm [15 µin] per ASME BPE SF4, only with electropolished surface (except for weld seam)
Connection to the measuring instrument	Axial weld-in connection	Female thread: <ul style="list-style-type: none"> ■ G ½ ■ G ¼ ■ ½ NPT ■ ¼ NPT
Type of mounting	Direct mounting	<ul style="list-style-type: none"> ■ Capillary ■ Cooling element
Vacuum service (see IN 00.25)	Basic service	<ul style="list-style-type: none"> ■ Premium service ■ Advanced service
Process connection	NEUMO BioConnect® connection <ul style="list-style-type: none"> ■ Flange, form R ■ Threaded coupling, male thread ■ Clamp connection, form R For pipes per DIN 11866 row A and row B (or DIN 11850 and DIN EN ISO 1127) For exact designs and nominal widths see tables from page 5	<ul style="list-style-type: none"> ■ Flange, form V ■ Threaded coupling, male thread ■ Clamp connection, form V
Instrument mounting bracket (only for capillary option)	<ul style="list-style-type: none"> ■ Form H per DIN 16281, 100 mm [3.94 in], aluminium, black ■ Form H per DIN 16281, 100 mm [3.94 in], stainless steel ■ Bracket for pipe mounting, for pipe Ø 20 ... 80 mm [0.787 ... 3.15 in], steel (see data sheet AC 09.07) 	

1) The maximum pressure range depends on the selection of the process connection. See PN nominal pressure in the tables from page 5.

2) Higher nominal pressures on request (for maximum pressure range consider pressure rating of clamp closure)

Material combinations

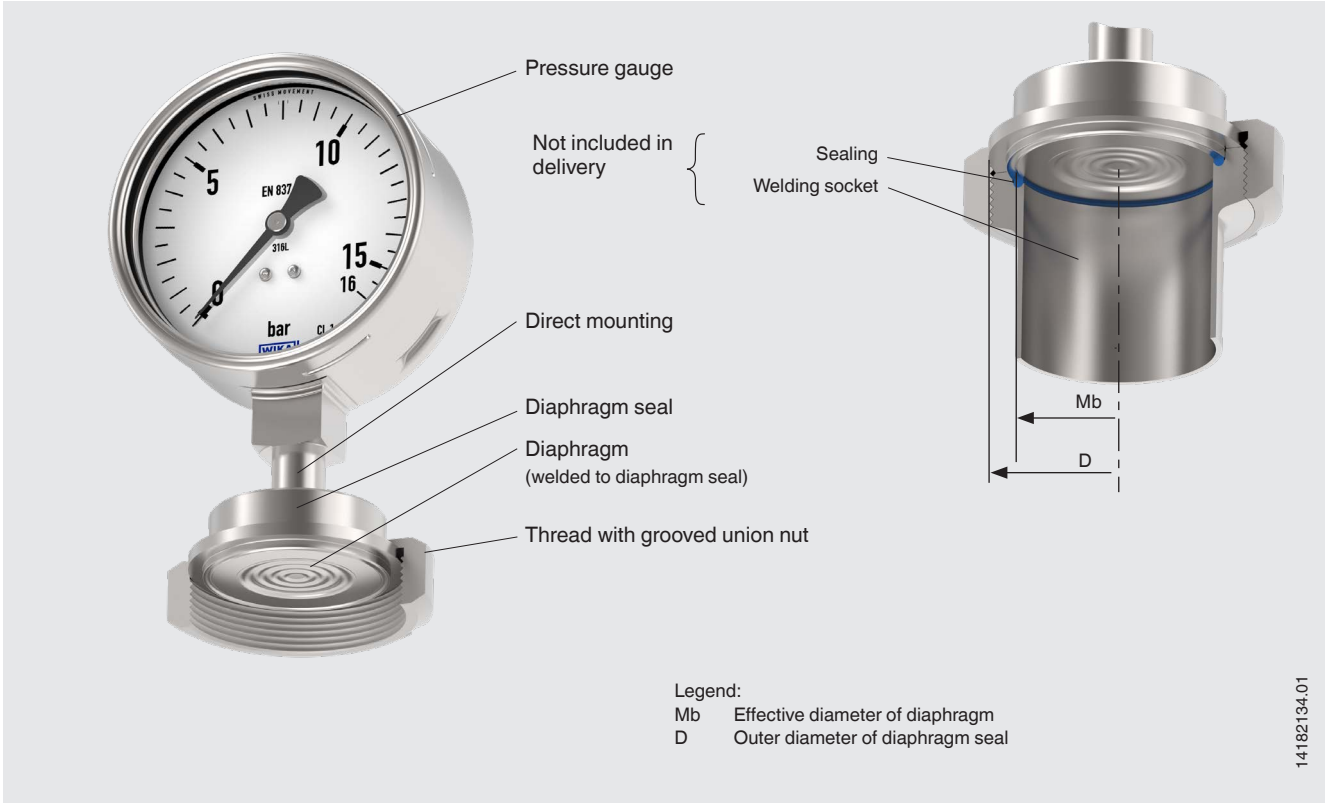
Upper body of diaphragm seal	Wetted parts ³⁾
Stainless steel 1.4435 (316L)	Stainless steel 1.4435 (316L)
Stainless steel 1.4435 (316L), electropolished ⁴⁾	Stainless steel 1.4435 (316L), electropolished ⁴⁾
Stainless steel 1.4539 (904L)	Stainless steel 1.4539 (904L)
Hastelloy C22 (2.4602)	Hastelloy C22 (2.4602)
Hastelloy C276 (2.4819)	Hastelloy C276 (2.4819)

3) Marking of the parts with the material code guarantees 100 % material traceability





4) Only in connection with a surface roughness of Ra ≤ 0.38 µm for the wetted parts

Further material combinations and process temperatures on request

Installation example, model 990.50 with directly mounted pressure gauge



Approvals

Logo	Description	Country
	EU declaration of conformity Pressure equipment directive	European Union
	EAC Pressure equipment directive	Eurasian Economic Community
	3-A Sanitary Standard	USA
	EHEDG Hygienic Equipment Design	European Union
-	MTSCHS Permission for commissioning	Kazakhstan
-	CRN Safety (e.g. electr. safety, overpressure, ...)	Canada

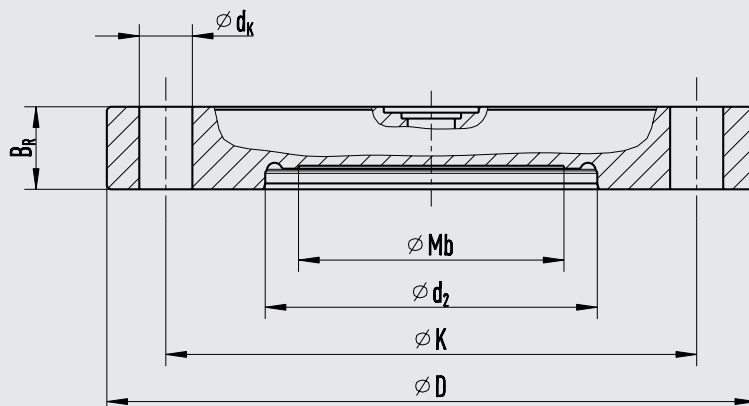
Certificates (option)

- 2.2 test report per EN 10204 (e.g. state-of-the-art manufacturing, material proof, indication accuracy for diaphragm seal systems)
- 3.1 inspection certificate per EN 10204 (e.g. material proof for wetted metal parts, indication accuracy for diaphragm seal systems)
- FDA conformity of the system fill fluid
- 3-A conformity of the diaphragm seal, based on a third party verification. Marking of the diaphragm seal per valid 3-A standard.
- EHEDG conformity
- Manufacturer's declaration for food contact materials per regulation (EC) no. 1935/2004
- Others on request

Approvals and certificates, see website

Dimensions in mm [in]

Flange, form R



2331204.04

Type of process connection: NEUMO BioConnect® connection

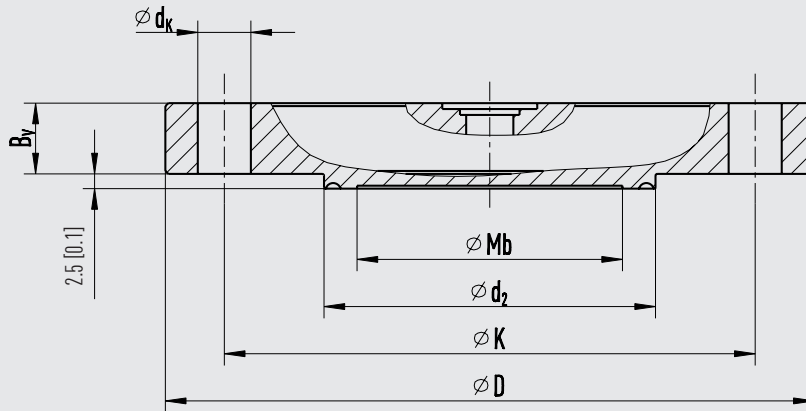
Pipe standard: Pipes per DIN 11866 row A or DIN 11850 row 2

DN	PN in bar [psi]	Dimensions in mm [in]						Weight in kg [lbs]
		Mb	D	B _R	K	d _k	d ₂	
25	16 [232]	22 [0.87]	85 [3.35]	12 [0.47]	65 [2.56]	4 x Ø 9 [Ø 0.35]	32.3 [1.27]	0.5 [1.1]
32	16 [232]	25 [0.98]	95 [3.74]	12 [0.47]	75 [2.95]	4 x Ø 9 [Ø 0.35]	38.3 [1.5]	0.6 [1.32]
40	16 [232]	32 [1.26]	100 [3.94]	12 [0.47]	80 [3.15]	4 x Ø 9 [Ø 0.35]	44.3 [1.74]	0.7 [1.54]
50	16 [232]	45 [1.77]	110 [4.33]	14 [0.55]	90 [3.54]	4 x Ø 9 [Ø 0.35]	56.3 [2.22]	0.9 [1.98]
65	16 [232]	60 [2.36]	140 [5.51]	16 [0.63]	115 [4.53]	4 x Ø 11 [Ø 0.43]	72.3 [2.85]	1.8 [3.97]
80	16 [232]	72 [2.83]	150 [5.9]	16 [0.63]	125 [4.92]	4 x Ø 11 [Ø 0.43]	87.3 [3.44]	2.0 [4.4]
100	16 [232]	90 [3.54]	175 [6.89]	18 [0.7]	150 [5.9]	4 x Ø 11 [Ø 0.43]	106.3 [4.19]	3.1 [6.83]

Pipe standard: Pipes per DIN 11866 row B or DIN EN ISO 1127 row 1

DN	PN in bar [psi]	Dimensions in mm [in]						Weight in kg [lbs]
		Mb	D	B _R	K	d _k	d ₂	
33.7	16 [232]	25 [0.98]	85 [3.35]	12 [0.47]	65 [2.56]	4 x Ø 9 [Ø 0.35]	36.0 [1.42]	0.5 [1.1]
42.4	16 [232]	32 [1.26]	95 [3.74]	12 [0.47]	75 [2.95]	4 x Ø 9 [Ø 0.35]	44.7 [1.76]	0.6 [1.32]
48.3	16 [232]	40 [1.57]	100 [3.93]	12 [0.47]	80 [3.15]	4 x Ø 9 [Ø 0.35]	50.6 [1.99]	0.7 [1.54]
60.3	16 [232]	52 [2.05]	110 [4.33]	14 [0.55]	90 [3.54]	4 x Ø 9 [Ø 0.35]	62.6 [2.46]	0.9 [1.98]
76.1	16 [232]	60 [2.36]	140 [5.51]	16 [0.63]	115 [4.53]	4 x Ø 11 [Ø 0.43]	77.8 [3.06]	1.8 [3.97]
88.9	16 [232]	72 [2.83]	150 [5.9]	16 [0.63]	125 [4.92]	8 x Ø 11 [Ø 0.43]	90.6 [3.57]	2.0 [4.41]
114.3	16 [232]	90 [3.54]	175 [6.89]	16 [0.63]	150 [5.9]	8 x Ø 11 [Ø 0.43]	115.4 [4.54]	3.1 [6.83]

Flange, form V



2331190.04

Type of process connection: NEUMO BioConnect® connection

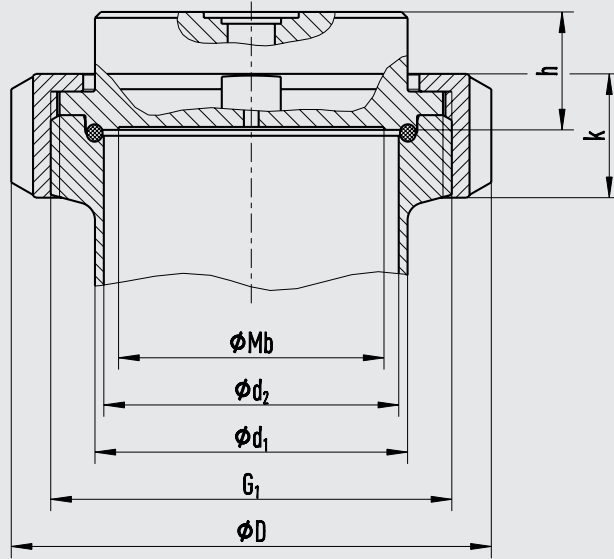
Pipe standard: Pipes per DIN 11866 row A or DIN 11850 row 2

DN	PN in bar [psi]	Dimensions in mm [in]						Weight in kg [lbs]
		Mb	D	B _R	K	d _k	d ₂	
25	16 [232]	22 [0.87]	85 [3.35]	10 [0.39]	65 [2.56]	4 x Ø 9 [Ø 0.35]	32.2 [1.27]	0.4 [0.88]
32	16 [232]	25 [0.98]	95 [3.74]	10 [0.39]	75 [2.95]	4 x Ø 9 [Ø 0.35]	38.2 [1.5]	0.6 [1.32]
40	16 [232]	32 [1.26]	100 [3.94]	10 [0.39]	80 [3.15]	4 x Ø 9 [Ø 0.35]	44.2 [1.74]	0.6 [1.32]
50	16 [232]	45 [1.77]	110 [4.33]	12 [0.47]	90 [3.54]	4 x Ø 9 [Ø 0.35]	56.2 [2.21]	0.9 [1.98]
65	16 [232]	60 [2.36]	140 [5.51]	14 [0.55]	115 [4.53]	4 x Ø 11 [Ø 0.43]	72.2 [2.84]	1.7 [3.75]
80	16 [232]	72 [2.83]	150 [5.9]	14 [0.55]	125 [4.92]	8 x Ø 11 [Ø 0.43]	87.2 [3.43]	1.9 [4.19]
100	16 [232]	90 [3.54]	175 [6.89]	16 [0.63]	150 [5.9]	8 x Ø 11 [Ø 0.43]	106.2 [4.18]	3.1 [6.83]

Pipe standard: Pipes per DIN 11866 row B or DIN EN ISO 1127 row 1

DN	PN in bar [psi]	Dimensions in mm [in]						Weight in kg [lbs]
		Mb	D	B _R	K	d _k	d ₂	
33.7	16 [232]	25 [0.98]	85 [3.35]	10 [0.39]	65 [2.56]	4 x Ø 9 [Ø 0.35]	35.9 [1.41]	0.4 [0.88]
42.4	16 [232]	32 [1.26]	95 [3.74]	10 [0.39]	75 [2.95]	4 x Ø 9 [Ø 0.35]	44.6 [1.76]	0.5 [1.1]
48.3	16 [232]	40 [1.57]	100 [3.93]	10 [0.39]	80 [3.15]	4 x Ø 9 [Ø 0.35]	50.5 [1.99]	0.6 [1.32]
60.3	16 [232]	52 [2.05]	110 [4.33]	12 [0.47]	90 [3.54]	4 x Ø 9 [Ø 0.35]	62.5 [2.46]	0.9 [1.98]
76.1	16 [232]	60 [2.36]	140 [5.51]	14 [0.55]	115 [4.53]	4 x Ø 11 [Ø 0.43]	77.7 [3.06]	1.7 [3.75]
88.9	16 [232]	72 [2.83]	150 [5.9]	14 [0.55]	125 [4.92]	8 x Ø 11 [Ø 0.43]	90.5 [3.56]	2.0 [4.41]
114.3	16 [232]	90 [3.54]	175 [6.89]	16 [0.63]	150 [5.9]	8 x Ø 11 [Ø 0.43]	115.3 [4.54]	3.2 [7.05]

Thread with grooved union nut



14413650.04

Type of process connection: NEUMO BioConnect® connection

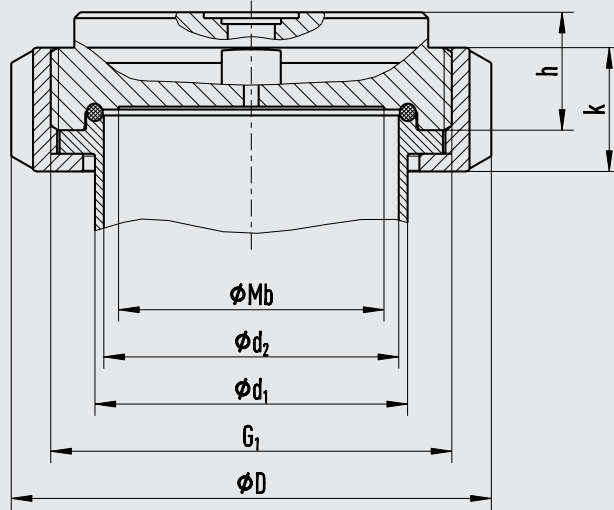
Pipe standard: Pipes per DIN 11866 row A or DIN 11850 row 2

DN	PN in bar [psi]	Dimensions in mm [in]							Weight in kg [lbs]
		d ₁	d ₂	Mb	G ₁	D	k	h	
25	16 [232]	29 [1.14]	26 [1.02]	22 [0.87]	M42 x 2	55 [2.17]	18 [0.71]	20 [0.79]	0.3 [0.66]
32	16 [232]	35 [1.38]	32 [1.26]	25 [0.98]	M52 x 2	65 [2.56]	19 [0.75]	20 [0.79]	0.4 [0.88]
40	16 [232]	41 [1.61]	38 [1.496]	32 [1.26]	M56 x 2	70 [2.76]	21 [0.83]	20 [0.79]	0.5 [1.1]
50	16 [232]	53 [2.09]	50 [1.97]	45 [1.77]	M68 x 2	82 [3.23]	21 [0.83]	20 [0.79]	0.7 [1.54]
65	16 [232]	70 [2.76]	66 [2.598]	60 [2.36]	M90 x 3	105 [4.13]	27 [1.06]	20 [0.79]	1.3 [2.87]
80	16 [232]	85 [3.35]	81 [3.19]	72 [2.83]	M100 x 3	115 [4.53]	27 [1.06]	20 [0.79]	1.6 [3.53]
100	16 [232]	104 [4.09]	100 [3.94]	90 [3.54]	M130 x 4	145 [5.71]	29 [1.14]	20 [0.79]	2.6 [5.73]

Pipe standard: Pipes per DIN 11866 row B or DIN EN ISO 1127 row 1

DN	PN in bar [psi]	Dimensions in mm [in]							Weight in kg [lbs]
		d ₁	d ₂	Mb	G ₁	D	k	h	
33.7	16 [232]	33.7 [1.33]	29.7 [1.17]	25 [0.98]	M42 x 2	55 [2.17]	18 [0.71]	20 [0.79]	0.3 [0.66]
42.4	16 [232]	42.4 [1.67]	38.4 [1.51]	32 [1.26]	M52 x 2	65 [2.56]	19 [0.75]	20 [0.79]	0.4 [0.88]
48.3	16 [232]	48.3 [1.9]	44.3 [1.74]	40 [1.57]	M56 x 2	70 [2.76]	21 [0.83]	20 [0.79]	0.5 [1.1]
60.3	16 [232]	60.3 [2.37]	56.3 [2.22]	52 [2.05]	M68 x 2	82 [3.23]	21 [0.83]	20 [0.79]	0.7 [1.54]
76.1	16 [232]	76.1 [2.996]	72.1 [2.84]	60 [2.36]	M90 x 3	105 [4.13]	27 [1.06]	20 [0.79]	1.3 [2.87]
88.9	16 [232]	88.9 [3.5]	84.3 [3.32]	72 [2.83]	M100 x 3	115 [4.53]	27 [1.06]	20 [0.79]	1.6 [3.53]
114.3	16 [232]	114.3 [4.5]	109.7 [4.32]	90 [3.54]	M130 x 4	145 [5.71]	29 [1.14]	20 [0.79]	2.6 [5.73]

Threaded coupling, male thread



2403000.04

Type of process connection: NEUMO BioConnect® connection

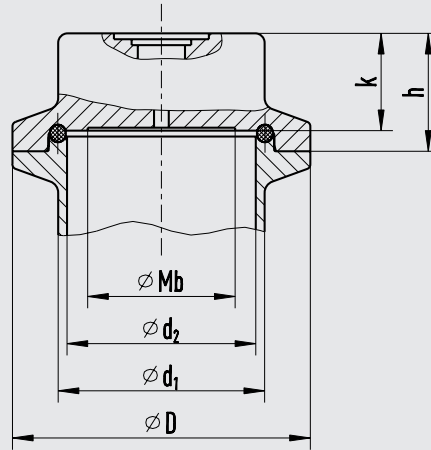
Pipe standard: Pipes per DIN 11866 row A or DIN 11850 row 2

DN	PN in bar [psi]	Dimensions in mm [in]							Weight in kg [lbs]
		d_1	d_2	Mb	G_1	D	k	h	
25	16 [232]	29 [1.14]	26 [1.02]	22 [0.87]	M42 x 2	55 [2.17]	18 [0.71]	20 [0.79]	0.2 [0.44]
32	16 [232]	35 [1.38]	32 [1.26]	25 [0.98]	M52 x 2	65 [2.56]	19 [0.75]	20 [0.79]	0.25 [0.55]
40	16 [232]	41 [1.61]	38 [1.496]	32 [1.26]	M56 x 2	70 [2.76]	21 [0.83]	20 [0.79]	0.3 [0.66]
50	16 [232]	53 [2.09]	50 [1.97]	45 [1.77]	M68 x 2	82 [3.23]	21 [0.83]	20 [0.79]	0.5 [1.1]
65	16 [232]	70 [2.76]	66 [2.598]	59 [2.32]	M90 x 3	105 [4.13]	27 [1.06]	28 [1.1]	0.9 [1.98]
80	16 [232]	85 [3.35]	81 [3.19]	72 [2.83]	M100 x 3	115 [4.53]	27 [1.06]	28 [1.1]	1.1 [2.43]
100	16 [232]	104 [4.09]	100 [3.94]	89 [3.5]	M130 x 4	145 [5.71]	29 [1.14]	30 [1.18]	1.9 [4.19]

Pipe standard: Pipes per DIN 11866 row B or DIN EN ISO 1127 row 1

DN	PN in bar [psi]	Dimensions in mm [in]							Weight in kg [lbs]
		d_1	d_2	Mb	G_1	D	k	h	
33.7	16 [232]	33.7 [1.33]	29.7 [1.17]	25 [0.98]	M42 x 2	55 [2.17]	18 [0.71]	20 [0.79]	0.2 [0.44]
42.4	16 [232]	42.4 [1.67]	38.4 [1.51]	32 [1.26]	M52 x 2	65 [2.56]	19 [0.75]	20 [0.79]	0.25 [0.55]
48.3	16 [232]	48.3 [1.9]	44.3 [1.74]	40 [1.57]	M56 x 2	70 [2.76]	21 [0.83]	20 [0.79]	0.3 [0.66]
60.3	16 [232]	60.3 [2.37]	56.3 [2.22]	52 [2.05]	M68 x 2	82 [3.23]	21 [0.83]	20 [0.79]	0.5 [1.1]
76.1	16 [232]	76.1 [2.996]	71.5 [2.81]	59 [2.32]	M90 x 3	105 [4.13]	27 [1.06]	28 [1.1]	0.9 [1.98]
88.9	16 [232]	88.9 [3.5]	84.3 [3.32]	72 [2.83]	M100 x 3	115 [4.53]	27 [1.06]	28 [1.1]	1.1 [2.43]
114.3	16 [232]	114.3 [4.5]	109.1 [4.29]	89 [3.5]	M130 x 4	145 [5.71]	29 [1.14]	30 [1.18]	1.9 [4.19]

Clamp connection, form R



14064002.02

Type of process connection: NEUMO BioConnect® connection

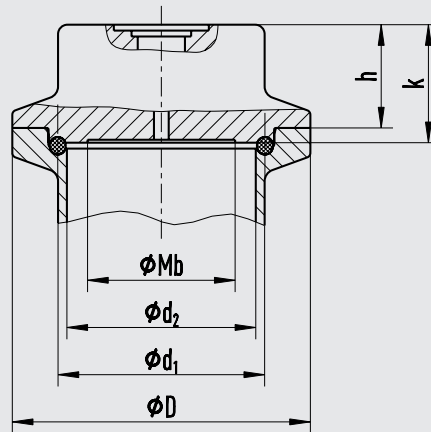
Pipe standard: Pipes per DIN 11866 row A or DIN 11850 row 2

DN	PN in bar [psi]	Dimensions in mm [in]						Weight in kg [lbs]
		d ₁	d ₂	Mb	D	k	h	
25	16 [232]	29 [1.14]	26 [1.02]	22 [0.87]	50.5 [1.99]	16.5 [0.65]	20 [0.79]	0.3 [0.66]
32	16 [232]	35 [1.38]	32 [1.26]	25 [0.98]	50.5 [1.99]	16.5 [0.65]	20 [0.79]	0.3 [0.66]
40	16 [232]	41 [1.61]	38 [1.496]	32 [1.26]	64 [2.52]	16.5 [0.65]	20 [0.79]	0.4 [0.88]
50	16 [232]	53 [2.09]	50 [1.97]	45 [1.77]	77.5 [3.05]	16.5 [0.65]	20 [0.79]	0.6 [1.32]
65	10 [145]	70 [2.76]	66 [2.598]	60 [2.36]	91 [3.58]	16.5 [0.65]	20 [0.79]	0.8 [1.76]
80	10 [145]	85 [3.35]	81 [3.19]	72 [2.83]	106 [4.17]	16.5 [0.65]	20 [0.79]	1.1 [2.43]
100	10 [145]	104 [4.09]	100 [3.94]	90 [3.54]	119 [4.69]	16.5 [0.65]	20 [0.79]	1.4 [3.09]

Pipe standard: Pipes per DIN 11866 row B or DIN EN ISO 1127 row 1

DN	PN in bar [psi]	Dimensions in mm [in]						Weight in kg [lbs]
		d ₁	d ₂	Mb	D	k	h	
33.7	16 [232]	33.7 [1.33]	29.7 [1.17]	25 [0.98]	50.5 [1.99]	16.5 [0.65]	20 [0.79]	0.2 [0.44]
42.4	16 [232]	42.4 [1.67]	38.4 [1.51]	32 [1.26]	50.5 [1.99]	16.5 [0.65]	20 [0.79]	0.2 [0.44]
48.3	16 [232]	48.3 [1.9]	44.3 [1.74]	40 [1.57]	64 [2.52]	16.5 [0.65]	20 [0.79]	0.3 [0.66]
60.3	16 [232]	60.3 [2.37]	56.3 [2.22]	52 [2.05]	77.5 [3.05]	16.5 [0.65]	20 [0.79]	0.6 [1.32]
76.1	10 [145]	76.1 [2.996]	72.1 [2.84]	60 [2.36]	91 [3.58]	16.5 [0.65]	20 [0.79]	0.8 [1.76]
88.9	10 [145]	88.9 [3.5]	84.3 [3.32]	72 [2.83]	106 [4.17]	16.5 [0.65]	20 [0.79]	1.0 [2.2]
114.3	10 [145]	114.3 [4.5]	109.7 [4.32]	90 [3.54]	130 [5.12]	16.5 [0.65]	20 [0.79]	1.3 [2.87]

Clamp connection, form V



14063999.02

Type of process connection: NEUMO BioConnect® connection

Pipe standard: Pipes per DIN 11866 row A or DIN 11850 row 2

DN	PN in bar [psi]	Dimensions in mm [in]						Weight in kg [lbs]
		d ₁	d ₂	Mb	D	k	h	
25	16 [232]	29 [1.14]	26 [1.02]	22 [0.87]	50.5 [1.99]	20 [0.79]	17.5 [0.69]	0.3 [0.66]
32	16 [232]	35 [1.38]	32 [1.26]	25 [0.98]	50.5 [1.99]	20 [0.79]	17.5 [0.69]	0.3 [0.66]
40	16 [232]	41 [1.61]	38 [1.496]	32 [1.26]	64 [2.52]	20 [0.79]	17.5 [0.69]	0.4 [0.88]
50	16 [232]	53 [2.09]	50 [1.97]	45 [1.77]	77.5 [3.05]	20 [0.79]	17.5 [0.69]	0.6 [1.32]
65	10 [145]	70 [2.76]	66 [2.598]	60 [2.36]	91 [3.58]	20 [0.79]	17.5 [0.69]	0.8 [1.76]
80	10 [145]	85 [3.35]	81 [3.19]	72 [2.83]	106 [4.17]	20 [0.79]	17.5 [0.69]	1.1 [2.43]
100	10 [145]	104 [4.09]	100 [3.94]	90 [3.54]	119 [4.69]	20 [0.79]	17.5 [0.69]	1.4 [3.09]

Pipe standard: Pipes per DIN 11866 row B or DIN EN ISO 1127 row 1

DN	PN in bar [psi]	Dimensions in mm [in]						Weight in kg [lbs]
		d ₁	d ₂	Mb	D	k	h	
33.7	16 [232]	33.7 [1.33]	29.7 [1.17]	25 [0.98]	50.5 [1.99]	20 [0.79]	17.5 [0.69]	0.2 [0.44]
42.4	16 [232]	42.4 [1.67]	38.4 [1.51]	32 [1.26]	50.5 [1.99]	20 [0.79]	17.5 [0.69]	0.2 [0.44]
48.3	16 [232]	48.3 [1.9]	44.3 [1.74]	40 [1.57]	64 [2.52]	20 [0.79]	17.5 [0.69]	0.3 [0.66]
60.3	16 [232]	60.3 [2.37]	56.3 [2.22]	52 [2.05]	77.5 [3.05]	20 [0.79]	17.5 [0.69]	0.6 [1.32]
76.1	10 [145]	76.1 [2.996]	72.1 [2.84]	60 [2.36]	91 [3.58]	20 [0.79]	17.5 [0.69]	0.8 [1.76]
88.9	10 [145]	88.9 [3.5]	84.3 [3.32]	72 [2.83]	106 [4.17]	20 [0.79]	17.5 [0.69]	1.0 [2.2]
114.3	10 [145]	114.3 [4.5]	109.7 [4.32]	90 [3.54]	130 [5.12]	20 [0.79]	17.5 [0.69]	1.3 [2.87]

Ordering information

Diaphragm seal:

Diaphragm seal model / Process connection (type and specification of process connection) / Material (upper body of diaphragm seal, diaphragm) / Surface roughness of wetted parts / Connection to the measuring instrument / Level of cleanliness of wetted parts / Origin of wetted parts / Certificates

Diaphragm seal system:

Diaphragm seal model / Process connection (type of process connection, pipe standard, pipe dimension) / Material (upper body of diaphragm seal, diaphragm) / Surface roughness of wetted parts / Sealing / Measuring instrument (data sheet) / Mounting (direct mounting, cooling element, capillary) / min. and max. process temperature / min. and max. ambient temperature / Vacuum service / System fill fluid / Certificates / Height difference / Level of cleanliness of wetted parts / Origin of wetted parts / Instrument mounting bracket

© 05/2007 WIKA Alexander Wiegand SE & Co. KG, all rights reserved.
The specifications given in this document represent the state of engineering at the time of publishing.
We reserve the right to make modifications to the specifications and materials.

