

# Compact pressure switch Model PCS

WIKA data sheet PV 33.30



for further approvals  
see page 4

## Process Compact Series

### Applications

- Pressure monitoring and control of processes
- Safety-critical applications in general process instrumentation, especially in the chemical and petrochemical industries, oil and gas industries, power generation incl. nuclear power plants, water/wastewater industries, mining
- For gaseous and liquid, aggressive, highly viscous or contaminated media, also in aggressive ambience
- For measuring points with limited space, e.g. control panels

### Special features

- No power supply needed for switching of electrical loads
- Robust switch enclosure from aluminium alloy or stainless steel, IP 66, NEMA 4X
- Setting ranges from 0.2 ... 1.2 to 200 ... 1,000 bar, vacuum ranges
- Intrinsic safety Ex ia available
- 1 set point, SPDT or DPDT, high switching power up to AC 250 V, 15 A



**Fig. left: Switch enclosure aluminium alloy  
Fig. right: Switch enclosure stainless steel**

### Description

The pressure switches have been developed especially for safety-critical applications with limited space. The high quality of the products and manufacturing in accordance with ISO 9001 ensure reliable monitoring of your plant. In production, the switches are traced by quality assurance software at every step and subsequently are 100 % tested. All wetted parts are from stainless steel as a standard. The switch enclosure is available in aluminium alloy or stainless steel. To adjust the set point simply open the access cover plate. This access can be sealed as an option. The access to the terminal block for the electrical connection is protected by a screw-on lid, which is secured with a screw-type lock against unauthorised intervention.

The pressure switches are fitted with one micro switch, which enables the switching of an electrical load of up to AC 250 V, 15 A directly. For lower switching power ratings, such as for PLC applications, argon gas-filled micro switches with gold-plated contacts can be selected as an option. For two separate circuits the switches are also available in the version DPDT (double pole double throw). By using a diaphragm with antagonist spring as measuring element, the model PCS pressure switch is extremely robust and guarantees optimal operating characteristics.

For high setting ranges a piston replaces or completes the diaphragm as a measuring element. The piston measuring element is designed for the specific requirements of liquid media.

## Standard version

### Switch enclosure

- Aluminium alloy, copper-free, epoxy resin coated
- Stainless steel 316L

Tamper-proof.

Laser-engraved product label from stainless steel.

### Ingress protection

IP 66 per EN 60529 / IEC 60529, NEMA 4X

### Permissible temperature

Ambient  $T_{amb}$ : -40 ... +85 °C

Medium  $T_M$ : See table on next page.  
Depending on measuring element.

### Switch contact

Micro switches with fixed dead band.

- 1 x SPDT (single pole double throw)
- 1 x DPDT (double pole double throw)

The DPDT function is realised with 2 simultaneously triggering SPDT micro switches within 2 % of the span

| Contact version |   | Electrical rating (resistive load) |  | Suitable for Ex ia option |
|-----------------|---|------------------------------------|--|---------------------------|
|                 |   | AC                                 | DC                                     |                           |
| A               | 1 x SPDT, silver  | 250 V, 15 A                        | 24 V, 2 A, 125 V, 0.5 A, 220 V, 0.25 A | No                        |
| B               | 1 x SPDT, silver, hermetically sealed, argon gas filling <sup>1)</sup>      | 250 V, 15 A                        | 24 V, 2 A, 220 V, 0.5 A                | Yes                       |
| C               | 1 x SPDT, gold-plated, hermetically sealed, argon gas filling <sup>1)</sup> | 125 V, 1 A                         | 24 V, 0.5 A                            | Yes                       |
| G               | 1 x DPDT, silver  | 250 V, 5 A                         | 24 V, 0.5 A                            | No                        |
| H               | 1 x DPDT, silver, hermetically sealed, argon gas filling <sup>1)</sup>      | 250 V, 5 A                         | 24 V, 0.5 A                            | Yes                       |

<sup>1)</sup> Permissible ambient temperature range: -30 ... +70 °C

### Set point adjustment

The set point can be specified by the customer or factory set within the setting range. Subsequent adjustment of the set point on site is made using the adjustment bushing, which is covered by the access cover plate with lead seal option.

### Repeatability of the set point

≤ 1 % of span

### Please specify:

Set point, switching direction for the contact, e.g. :

Set point: 5 bar, increasing

After unscrewing the access cover plate, set point adjustment can be made using the adjustment bushing. The set point is selectable within the entire setting range.

For optimal performance we suggest to adjust the set point between 25 ... 75 % of the setting range.

### Example:

Setting range: 1.6 ... 10 bar with one switch contact

Repeatability: 1 % of 10 bar = 100 mbar

Dead band = 200 mbar (see table setting ranges)

Rising pressure: Adjust set point between 2.0 ... 10 bar.

Falling pressure: Adjust set point between 1.6 ... 9.6 bar.

### Ignition protection type (option)

- Ex ia I Ma (mines), only available with stainless steel switch enclosure
- Ex ia IIC T6/T4 <sup>1)</sup> Ga (gas)
- Ex ia IIIC T85/T135 <sup>1)</sup> Da (dust)

<sup>1)</sup> The temperature class is related to the ambient temperature range. See the type examination certificate for further details.

### Safety-related maximum values

(only for optional Ex ia versions)

| Maximum values             |         |
|----------------------------|---------|
| Voltage $U_i$              | DC 30 V |
| Current $I_i$              | 100 mA  |
| Power $P_i$                | 0.75 W  |
| Internal capacitance $C_i$ | 0 µF    |
| Internal inductance $L_i$  | 0 mH    |

### Process connection

Stainless steel 316L, lower mount (LM)

- ¼ NPT female (standard)
- ½ NPT, G ½ A, G ¼ A male via adapter
- ½ NPT, G ¼ female via adapter

### Electrical connection

- ½ NPT female (standard)
- M20 x 1.5 female
- ¾ NPT female
- Cable gland non-armoured, nickel-plated brass
- Cable gland non-armoured, stainless steel (AISI 304)
- Cable gland armoured, nickel-plated brass
- Cable gland armoured, stainless steel (AISI 304)

For cable connections to the internal terminal block use wire cross-sections between 0.5 ... 1.5 mm<sup>2</sup>.

For the grounding cable connection to the protective conductor screws use max. 2.5 mm<sup>2</sup> for the internal screw and max. 4 mm<sup>2</sup> for the external screw.

### Dielectric strength

Safety class I (IEC 61298-2: 2008)

## Measuring element

| Measuring element |  | Wetted parts                    | Permissible medium temperature |
|-------------------|--|---------------------------------|--------------------------------|
| V                 | Diaphragm with antagonist spring                   | NBR                             | -30 ... +110 °C                |
| T                 | Diaphragm with antagonist spring                   | PTFE                            | -30 ... +110 °C                |
| M                 | Diaphragm with antagonist spring                   | Inconel®, O-ring FPM            | -30 ... +200 °C                |
| P                 | Piston with antagonist spring                      | Stainless steel 316, O-ring FPM | 0 ... 200 °C                   |
| G                 | Piston with antagonist spring and welded diaphragm | Hastelloy® C276                 | -40 ... +140 °C                |

## Setting range

| Setting range<br>in bar | Measuring element | Working range<br>in bar | Proof pressure<br>in bar | Dead band for contact version       |          |          |
|-------------------------|-------------------|-------------------------|--------------------------|-------------------------------------|----------|----------|
|                         |                   |                         |                          | A, B, C in bar                      | G in bar | H in bar |
| -1 ... -0.2             | V                 | -1 ... 6                | 10                       | 0.03                                | 0.06     | 0.12     |
| 0.1 ... 2.5             | M                 | -1 ... 30               | 40                       | 0.05                                | 0.1      | 0.4      |
| 0.2 ... 1.2             | T                 | 0 ... 6                 | 10                       | 0.03                                | 0.06     | 0.12     |
| 0.5 ... 2.5             | M                 | -1 ... 10               | 40                       | 0.05                                | 0.1      | 0.4      |
| 0.8 ... 6               | M                 | -1 ... 10               | 40                       | 0.06                                | 0.2      | 0.8      |
| 1.6 ... 10              | M                 | -1 ... 25               | 40                       | 0.2                                 | 0.4      | 1.06     |
| 3 ... 25                | P, G              | 0 ... 250               | 400                      | 2                                   | 4        | 16       |
| 3.5 ... 70              | P, G              | 0 ... 140               | 500                      | 7                                   | 7        | 21       |
| 4 ... 25                | M                 | -1 ... 25               | 60                       | 0.25                                | 0.75     | 3        |
| 8 ... 40                | P, G              | 0 ... 100               | 400                      | 2                                   | 4        | 16       |
| 10 ... 40               | M                 | -1 ... 60               | 100                      | 1                                   | 2        | 8        |
| 16 ... 100              | P, G              | 0 ... 250               | 400                      | 5                                   | 5        | 20       |
| 20 ... 100              | M                 | 0 ... 100               | 150                      | 7                                   | 9        | 20       |
| 20 ... 220              | P, G              | 0 ... 350               | 500                      | 8                                   | 15       | 24       |
| 40 ... 250              | P, G              | 0 ... 400               | 600                      | 12                                  | 20       | 80       |
| 60 ... 250              | P, G              | 0 ... 400               | 600                      | 5 ... 12 to 12 ... 20 <sup>1)</sup> | -        | -        |
| 80 ... 400              | P, G              | 0 ... 600               | 600                      | 20                                  | 20       | 80       |
| 100 ... 600             | P, G              | 0 ... 600               | 700                      | 30                                  | 30       | 120      |
| 100 ... 700             | P                 | 0 ... 700               | 1.050                    | 30 ... 100 <sup>1)</sup>            |          |          |
| 200 ... 1.000           | P                 | 0 ... 1.000             | 1.500                    | 40 ... 110 <sup>1)</sup>            |          |          |

1) The dead band depends on the set point adjustment. The indicated ranges are valid for start and end of the setting range. Other setting ranges are proportional.

## Mounting

Direct or wall mounting

Option: Mounting bracket for 2" pipe mounting

## Weight

■ 1.0 kg, switch enclosure aluminium alloy

■ 1.5 kg, switch enclosure stainless steel

For mounting positions see drawing on page 5.

## Options

- Cleaned for oxygen service
- Drying of wetted parts
- Measuring element piston with O-ring NBR (permissible medium temperature: -10 ... +110 °C)
- Permissible ambient temperature to -60 °C<sup>1)</sup>
- Offshore version with increased corrosion protection<sup>2)</sup>
- NACE compliant to MR 0175, ISO 15156 and MR 0103<sup>2)</sup>





1) only available for silver contacts without hermetic sealing and with measuring element "M" (see table on next page)

2) WIKA recommends argon gas-filled contact versions

## Assembly (Option)

- Shut-off valve model 910.11, see data sheet AC 09.02
- Barstock valve model 910.81, see data sheet AC 09.18
- Diaphragm seals, see website


## Approvals

| Logo   | Description   | Country                     |
|--|---|-----------------------------|
|  | <b>EC declaration of conformity</b> <ul style="list-style-type: none"> <li>■ Pressure equipment directive 97/23/EC<br/>PED, annex 1, category IV, safety accessories, module B + D</li> <li>■ Low voltage directive 2006/95/EC, EN 60730-1</li> <li>■ ATEX <sup>1)</sup> directive 94/9/EC; annex III, IV (option)<br/>I M 1 (only available with stainless steel 316L switch enclosure)<br/>II 1 GD</li> </ul> | European Community          |
|  | <b>IECEx</b> <sup>1)</sup> per IEC 60079-0, IEC 60079-11, IEC 60079-26 (option)<br>Ex ia I Ma (only available with stainless steel 316L switch enclosure)<br>Ex ia IIC T6/T4 <sup>2)</sup> Ga<br>Ex ia IIIC T85/T135 <sup>2)</sup> Da   | IECEx member states         |
|  | <b>EAC (option)</b><br>Hazardous areas (option)   | Eurasian Economic Community |
|  | <b>KOSHA (option)</b><br>Hazardous areas  | South Korea                 |

1) Double marking ATEX and IECEx on the same product label.

2) The temperature class is related to the ambient temperature range.

## Manufacturer's information and certifications

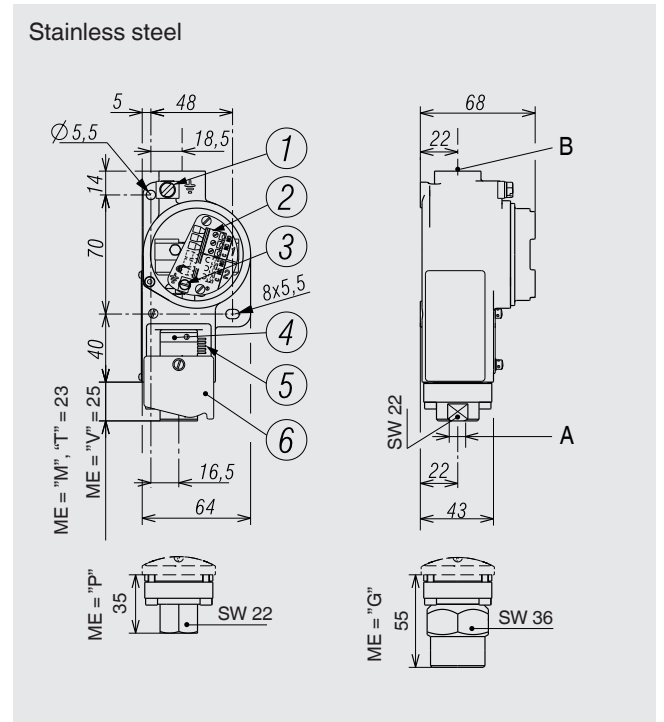
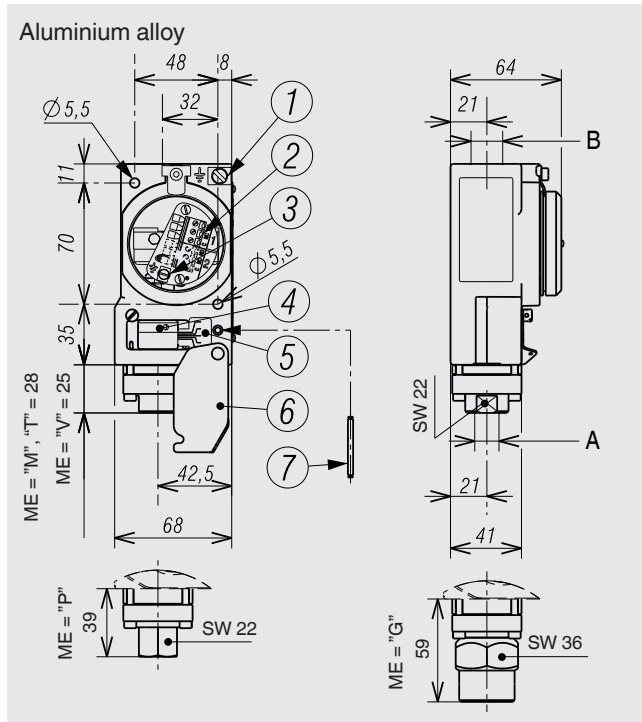
| Logo   | Description   |
|--|---|
|  | <b>SIL 2 rating (option)</b> , per IEC 61508<br>Functional safety<br>The electrical rating for DC applications is limited to<br>30 V ... 100 mA |

## Certificates (option)

- 2.2 test report per EN 10204
- 3.1 inspection certificate per EN 10204

Approvals and certificates, see website

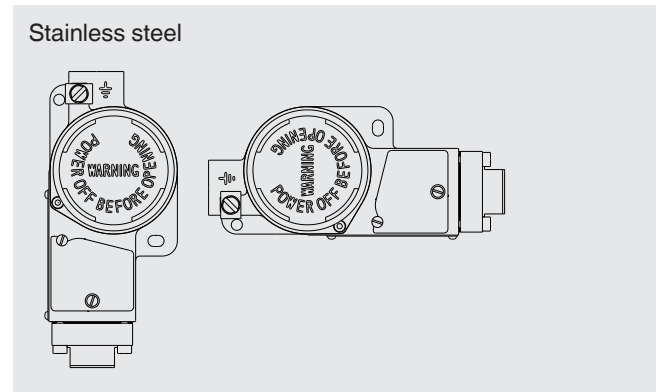
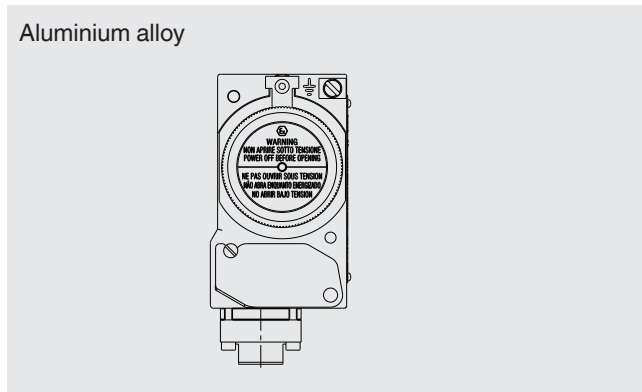
## Dimensions in mm



### Legend

- |                         |   |                            |
|-------------------------|---|----------------------------|
| ① Ground screw, outside | ④ Adjustment bushing                      | ⑦ Set point adjustment rod |
| ② Terminal block        | ⑤ Calibration scale                       | A Process connection       |
| ③ Ground screw, inside  | ⑥ Access cover plate                      | B Electrical connection    |
| SW Spanner width        | ME Measuring Element, see table on page 3 |                            |

## Permissible mounting positions



### Ordering information

Model / Unit / Setting range of set point / Contact version / Process connection / Electrical connection / Wetted parts / Options

© 2009 WIKA Alexander Wiegand SE & Co. KG, all rights reserved.  
The specifications given in this document represent the state of engineering at the time of publishing.  
We reserve the right to make modifications to the specifications and materials.

